

User Manual

AM - HPW - 5 Star Pressure Washer



BEFORE OPERATING THIS APPLIANCE
PLEASE READ THESE INSTRUCTIONS CAREFULLY

MULTI-PURPOSE, MULTI-APPLICATION PRESSURE WASHER



Handle and wheels
for easy mobility



Cleans those difficult
jobs with ease



10 meter electrical cable, 5
meter washing hose,
gun, lance, soap bottle



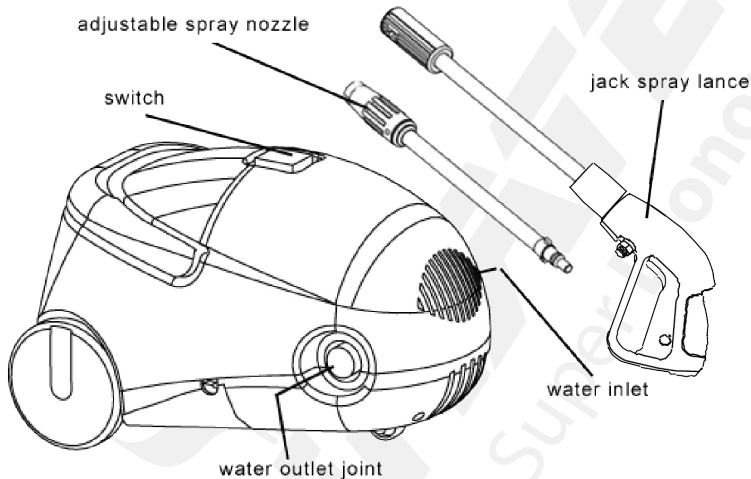
Ideal for use
around the home
or work place



APPLICATION

Agrimate 5Star PRESSURE WASHING MACHINE is a highly specialized multifunctional machine with exceptionally reliable safety assurance, which may be used to wash and clean cars, bikes and other outdoor equipment or garden patios, green houses etc.

NAMES OF EXTERIOR PARTS



Helpful Hints for Getting Started

Automatic ON/OFF :

The motor on this pressure washer does not run continuously. It only runs when the trigger of the spray gun is squeezed. After following the start up procedures in this manual, turn the pressure washer ON and squeeze the trigger for activation. See "Operating Instruction" section in this manual for further details.

Bleeding the Gun :

It is very important to bleed the gun before using the pressure washer. Squeeze the trigger to allow any air that is trapped inside of the unit and hose to escape. Continue to squeeze trigger until a steady stream of water comes from the nozzle. (This process may take up to 2 minutes). See "Operating Instructions" section for this process.

SAFETY REGULATIONS

The electric supply connection shall be made by a qualified electrician and comply with IEC 60364-1

Electric supply should include a residual current device for max. 30 mA

WARNING

- The appliance is intended to be used at a temperature above 0 degree.
- Read all the instructions before using the product.
- To reduce the risk of injury, close supervision is necessary when a product is used near children. Pressure cleaner shall not be used by children or untrained person.
- Know how to stop the product and bleed pressures quickly. Be thoroughly familiar with the controls.
- Stay alert and watch what you are doing.
- Do not operate the product when fatigued or under the influence of alcohol or drugs.
- Keep operating area clear of all persons.
- Do not overreach or stand on unstable support. Keep good footing and balance at all times.
- Follow the maintenance instructions specified in the manual.
- This product must be grounded. If it has malfunction or breakdown, grounding provides a path of least resistance for electric current to reduce the risk of electric shock. The plug must be plugged into an appropriate outlet that is properly installed and grounded in accordance with all local codes and ordinances. The rating voltage (V/Hz) of the appliance has to be in compliance with the local power supplying voltage.
- Check with a qualified electrician or service personnel if you are in doubt as to whether the outlet is properly grounded. Do not modify the plug provided with the product. If it will not fit the outlet, have a proper outlet installed by a qualified electrician. Do not use any type of adapter with this product.
- Use only 3-wire extension cords that have 3-prong grounding-type plugs and 3-pole cord connectors that accept the plug from the product. Use only extension cords that are intended for outdoor use and the socket must be of watertight construction. These extension cords are identified by a marking "Acceptable for use with outdoor appliances; store indoors while not in use." Use only extension cords having an electrical rating not less than the rating of the product. Do not use damaged extension cords. If the supply cord is damaged, a service agent or a similarly qualified person must replace it in order to avoid a hazard. Examine extension cord before using and replace if damaged. Inadequate extension cords can be dangerous. Do not abuse extension cord and do not yank on any cord to disconnect. Keep cord away from heat and sharp edges. Always disconnect the extension cord from the receptacle before disconnecting the product from the extension cord.
- If the supply cord is damaged, it must be replaced by a special cord or assembly available from the manufacturer or its service agent; and should not change the length of the cable.
- To reduce the risk of electrocution, don't start and run the machine in the rain or storm. Keep all

connections dry and off the ground. Do not touch plug with wet hands. It is strictly prohibited to let water leak into the machine.

- When the machine is turned on, the interior pumps start and continue to run even if the pressure wand trigger has not been depressed. Running the machine for more than 3 minutes without depressing the pressure wand trigger could cause heat damage to the motor and pumps, Please do not leave the machine running unattended or unused for more than 3 minutes.
- When the machine is running, please maintain a constant water supply. Without water circulation will damage the sealing rings of the machine.
- It is necessary to turn on the spray lance within one or two minutes after the machine has been started. Otherwise, the temperature of the circulating water within the machine will soon rise to a critical point, which will cause damage to the sealing rings inside the machine.
- Don't start and run the machine in a place excessively cold so as to prevent the machine from the freezing current.
- This appliance has been designed for only using cleaning water, do not use corrosive chemicals.
- Use cleaning agent supplied or recommend by the manufacturer.
- Do not use the appliance within the range of persons unless they wear protective clothing.
- Pressure jets can be dangerous if subject to misuse. The jet must not be directed at persons, live electrical equipment or the appliance itself. Pressure washers should not be pointed at tire walls, as it may be possible to damage them.
- Do not direct the jet against yourself or others in order to clean clothes or footwear.
- Disconnect from the electrical power supply before carrying out user maintenance.
- To ensure the appliance safety, please only use original spare parts from the manufacturer or approved by the manufacturer. Do not use the machine before you changed them if they are damaged.
- High pressure hoses, fittings and couplings are important for the safety of the appliance. Use only hoses, fittings and couplings recommended by the manufacturer
- Do not use the appliance if a supply cord or important parts are damaged, e.g. safety devices, high pressure hoses, trigger gun.
- Incorrect fuels shall not be used, as they may prove hazardous.
- Be aware of the recoil caused by the water jet when the machine is switched on.

OPERATING INSTRUCTIONS

! This unit is to be connected to a cold water source ONLY

! The motor of this pressure washer will NOT run. It will only operate when the trigger is squeezed.

- Connect the outlet hose to the washer and connect the spray gun to the outlet hose.
- Connect nozzle and nozzle extension.
- Check gauze filter is clear of any blockage.
- Connect the water supply hose.
- Check that the hose has no kinks in it.
- Turn on water and check for leaks.
- Depress trigger to allow air to be expelled through the pump and hoses, lock trigger.
- Plug in machine and turn on switch.
- Unlock trigger and use the pressure washer.

SHUT DOWN

1. Turn off the motor(push switch to the off position)
2. Unplug the unit from the power source.
3. Turn off the water supply.
4. Press the trigger of the gun to depressurize the system.
5. Disconnect the garden hose from the pressure washer.
6. Wipe all surfaces of the unit with a damp clean cloth.
7. Engage the gun safety lock.

CAUTION: ALWAYS turn off the unit's motor BEFORE turning off the unit's water supply. Serious damage could occur to the motor if the unit is run without water.

CAUTION: NEVER disconnect the high-pressure discharge hose from the machine while the system is still pressurized. To depressurize the unit, turn off the motor, turn off the water supply and squeeze the trigger 2-3 times.

ADJUSTABLE SPRAY NOZZLE

Turn off the spray lance first, and then adjust the nozzle. Water may be sprayed out from the spray nozzle either linearly (fig 1) or in fan shapes (fig 2)

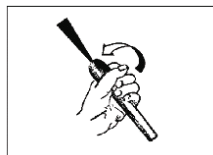


Fig 1

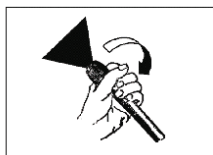


Fig 2

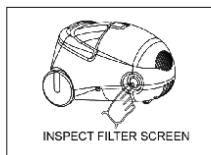


Fig 3

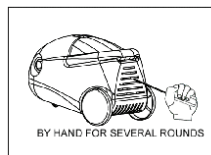


Fig 4

WATER INLET SCREEN

The water inlet filter must be inspected regularly, so as to avoid blockage and restriction in the water supply to the pump (fig 3).

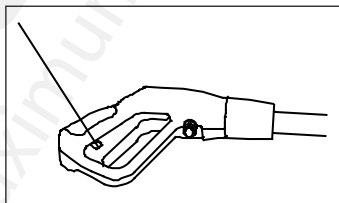
LONG TERM STORAGE

The AM-HPW-5Star should be stored in a frost-free environment.

After long-term storage without operation, it is possible to form scales inside the machine making it hard to start again. In such conditions it is recommended to turn off and disconnect the power supply and rotate the motor by hand several times so as to avoid excessive current draw on the motor and the power supply (fig 4).

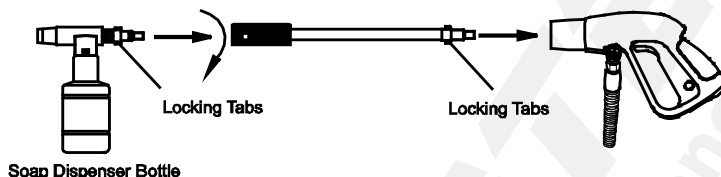
GUN SAFETY DEVICE

When you stop the machine it is necessary to use the safety lock placed on the gun in order to avoid accidental.



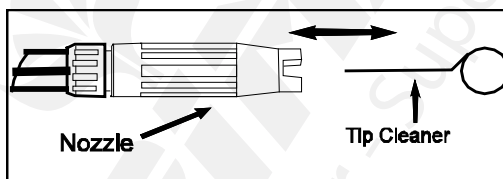
ATTACHING SOAP DISPENSER BOTTLE

Insert metal end of the spray lance into the opening of spray gun (making sure to match the locking tabs on either side of the spray lance to the notches of the spray gun), Push in and twist in a clockwise motion to lock spray lance and spray gun together (make sure there is a tight and secure fitting between both). Insert end of soap dispenser bottle with the plastic locking tabs into opening of the spray lance. Push in, turn, and lock so the soap dispenser bottle and spray lance are firmly secure.



CLEANING PIN INSTRUCTION

- Using included tip cleaner, or an unfolded paper clip, insert wire into the nozzle hole and move back and forth until debris is dislodged.



- Remove additional debris by back-flushing water through the nozzle. To do this, place end of a garden hose (with water running) to the end of nozzle for 30-60 seconds.

TECHNICAL DATA

ITEM	AM - HPW - 5star
Working pressure	9MPa (90bar)
Working flow rate	6.4 l/min
Max. pressure water supply	0.4MPa (4bar)
Motor Capacity	1500w/AC Motor with 10 meter electrical cable
Power Supply Voltage	230V/50Hz
Max Water Temperature	50°C
Weight	14.5kgs
Dimensions	54 x 38 x 34 cm
Washing hose	8m

TROUBLE SHOOTING

FAULT	PROBABLE CAUSE	REPAIR
When switched on the machine will not start working	Plug is not well connected or electric socket is faulty	Check plug, socket and fuses.
	The main voltage is insufficient, lower than minimum requirement	Check that the main voltage is adequate.
	The pump is stuck.	Refer to after storage instructions.
	Thermal safety switch has tripped	Switch off the unit and let the motor cool for a few minutes
		Leave the lance open
Fluctuating Pressure	Pump sucking air.	Check that hoses and connections are airtight.
	Valves dirty, worn out or stuck.	Clean and replace, or refer to dealer.
	Pump seals worn out.	
Water leaking from the pump.	Seals worn out.	Check and replace, or refer to dealer.
The motor stops suddenly.	Thermal safety switch has tripped due to overheating.	Check that the main voltage corresponds to specifications.
		Switch off the unit and let it cool for a few minutes.
The pump doesn't reach the necessary pressure.	Water inlet filter is clogged.	Clean the water inlet filter.
	Pump sucking air from connections or hoses.	Check that all supply connections are tight
	Suction/ delivery valves are clogged or worn out.	Check that the water feeding hose is not leaking. Clear or replace valves.
	Unloaded valve is stuck.	Loosen and re-tighten regulation screw.
	Lance nozzle incorrect or worn out.	Check and/or replace

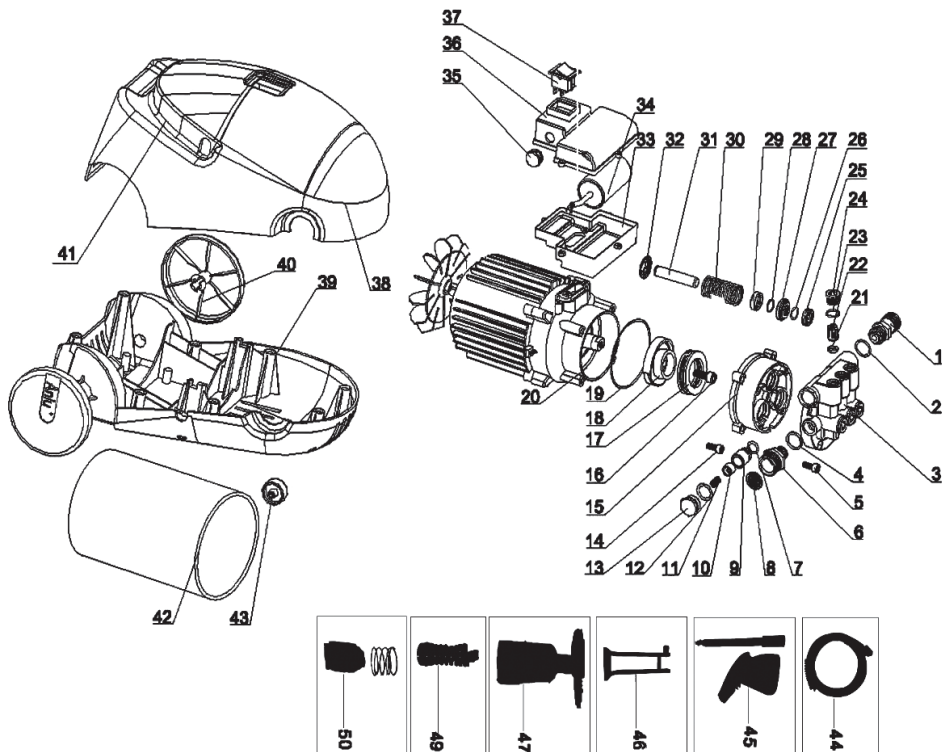
INSTALLATION, ELECTRICAL AND WATER CONNECTIONS



1. PRESSURE GUN
2. WATER INLET
3. PRESSURE WATER OUTLET
4. PRESSURE TUBE / HOSE

Note: The company reserves the right to modify its product specifications without given any notice; for up to date information please visit our website.

AGRIMATE 5 STAR PRESSURE WASHER DIAGRAM SPARE PARTS



AGRIMATE 5 STAR PRESSURE WASHER SPARE PARTS LIST

Part No	Part Name
AM-HPW-5Star-01	Kit Water Outlet Joint
AM-HPW-5Star-02	O-Ring
AM-HPW-5Star-03	Pump Head Al Alloy
AM-HPW-5Star-04	O-Ring
AM-HPW-5Star-05	Screw Internal Hexagonal
AM-HPW-5Star-06	Joint Water Inlet

Part No	Part Name
AM-HPW-5Star-07	O-Ring
AM-HPW-5Star-08	Filter MM
AM-HPW-5Star-09	Valve Release Load Base
AM-HPW-5Star-10	Core Load Release Valve
AM-HPW-5Star-11	Spring Load Release Valve
AM-HPW-5Star-12	O-Ring
AM-HPW-5Star-13	Cap Load Release Valve
AM-HPW-5Star-14	Screw Internal Hexagonal
AM-HPW-5Star-15	Pump Body Al Alloy
AM-HPW-5Star-16	Screw Internal Hexagonal
AM-HPW-5Star-17	Bearing
AM-HPW-5Star-18	Bearing Housing Al Alloy
AM-HPW-5Star-19	O-Ring
AM-HPW-5Star-20	Motor
AM-HPW-5Star-21	O-Ring
AM-HPW-5Star-22	Valve Water Inlet/Outlet
AM-HPW-5Star-23	O-Ring
AM-HPW-5Star-24	In-Out Valve Cap
AM-HPW-5Star-25	V-Ring
AM-HPW-5Star-26	O-Ring
AM-HPW-5Star-27	Middle Ringer
AM-HPW-5Star-28	O-Ring
AM-HPW-5Star-29	Reinforced Seal

Part No	Part Name
AM-HPW-5Star-30	Spring Plunger
AM-HPW-5Star-31	Plunger
AM-HPW-5Star-32	Plunger Circlip
AM-HPW-5Star-33	Connection Box
AM-HPW-5Star-34	Capacitor
AM-HPW-5Star-35	Ring Rubber Cover
AM-HPW-5Star-36	Connection Box
AM-HPW-5Star-37	Switch
AM-HPW-5Star-38	Top Cover
AM-HPW-5Star-39	Base
AM-HPW-5Star-40	Wheel
AM-HPW-5Star-41	Handle
AM-HPW-5Star-42	Fan Cover
AM-HPW-5Star-43	Base Wheel
AM-HPW-5Star-44	High Pressure Delivery Hose 5mtr
AM-HPW-5Star-44	High Pressure Delivery Hose 10mtr
AM-HPW-5Star-45	Lance With Gun
AM-HPW-5Star-46	Rear Handle Bottom
AM-HPW-5Star-47	Soap Jar
AM-HPW-5Star-49	Piston Assembly
AM-HPW-5Star-50	Blocking Set

INSPECTION & MAINTENANCE

For safety use, make sure a three-month clean the machine. Before working, make sure inspect the filter and the nozzle, make sure there is no impurity. After working, make sure there is no water in the pump and the hose.

If the machine need to be repaired in the guarantee period, please return the machine to the shop. You need to provide the certificate of purchase in order to repair or get the substitute.

Before Packaging, The machine should be cleaned, then use closed packaging, packaging should be firm. Storage the machine in dry.

For transportation safety. The machine should comply with ISTA.



Meaning of crossed –out wheeled dustbin:

Do not dispose of electrical machines as unsorted municipal waste, use separate collection facilities.

Contact you local government for information regarding the collection systems available.

If electrical machines are disposed of in landfills or dumps, hazardous substances can leak into the groundwater and get into the food chain, damaging your health and well-being.

When replacing old machines with new ones, the retailer is legally obligated to take back your old machine for disposals at least free of charge.

Warranty Card

CUSTOMER COPY



Purchaser's Name & Address

Product Name

AM - HPW - 5star

Product Serial No.

Invoice / DN No.

Date of Delivery

Dealer's Office Seal

Dealer Sign _____

Customer Sign. _____

I/We accept the terms and conditions of Warranty as in the Warranty Card.

Warranty Card

DEALER'S COPY



Purchaser's Name & Address

Product Name

AM - HPW - 5star

Product Serial No.

Invoice / DN No.

Date of Delivery

Dealer's Office Seal

Dealer Sign _____

Customer Sign. _____

I/We accept the terms and conditions of Warranty as in the Warranty Card.

Warranty Card

COMPANY COPY



Purchaser's Name & Address

Product Name

AM - HPW - 5star

Product Serial No.

Invoice / DN No.

Date of Delivery

Dealer's Office Seal

Dealer Sign _____

Customer Sign. _____

I/We accept the terms and conditions of Warranty as in the Warranty Card.

1. **LIMITED WARRANTY PERIOD** : For a period of six months from the date of Sale / delivery of the product which ever is earlier. 2. **LIMITED WARRANTY OBLIGATION** : Replacement of defective part(s) by authorized dealer are free of charges. If found defective by reasons of defective material / poor workmanship, parts will be replaced and there will be no value re-imbusement. 3. **TERMS & CONDITIONS** : a. Claims under warranty will be accepted on submission of Warranty Card duly filled and stamped by authorized dealer together with the original purchase document. : b. Shipping / transportation / Incidental charges incurred in replacing defective parts under warranty shall be borne by the purchaser.

WARRANTY null & void if

- (i) Lack of maintenance, (ii) Incorrect use of the machine or tampering, (iii) Use of non-genuine spare parts, (iv) Usage of acids, solvents, or any flammable materials, (v) Non-usage of filter water / clear water / soft water & using water above 40°C temperature, (vi) While using the pressure washers to draw water which is contaminated with dust & solvents (eg. paint thinners, gasoline, oil, etc.), (vii) Repair done by unauthorized service people, (viii) Those parts subject to wear & tear due to normal operations and plastic parts, rubber items etc, (ix) Loose connections, faulty electrical fixtures & fluctuations in power supply.
4. Should any failure occur during or after the warranty period, customer does not have the right to interrupt payment / price discount.
 5. Incidental or consequential damages like inconvenience commercial loss, loss of tie, mental agony etc.
 6. Loss of any nature due to operation or non-operation is not covered under warranty.
 7. All free service are at Dealer's service point only.
 8. Warranty ceases if service is not done periodically.
 9. The attached card should be completed and returned to Ratnagiri Impex Pvt. Ltd. for registration immediately after sale / delivery.
 10. The warranty is void unless you register the warranty card with Ratnagiri Impex Pvt. Ltd.
 11. The decision of Ratnagiri Impex Pvt. Ltd., in settling the warranty is final in all respects.
 12. All disputes are subject to Bangalore Courts Jurisdiction

1. **LIMITED WARRANTY PERIOD** : For a period of six months from the date of Sale / delivery of the product which ever is earlier. 2. **LIMITED WARRANTY OBLIGATION** : Replacement of defective part(s) by authorized dealer are free of charges. If found defective by reasons of defective material / poor workmanship, parts will be replaced and there will be no value re-imbusement. 3. **TERMS & CONDITIONS** : a. Claims under warranty will be accepted on submission of Warranty Card duly filled and stamped by authorized dealer together with the original purchase document. : b. Shipping / transportation / Incidental charges incurred in replacing defective parts under warranty shall be borne by the purchaser.

WARRANTY null & void if

- (i) Lack of maintenance, (ii) Incorrect use of the machine or tampering, (iii) Use of non-genuine spare parts, (iv) Usage of acids, solvents, or any flammable materials, (v) Non-usage of filter water / clear water / soft water & using water above 40°C temperature, (vi) While using the pressure washers to draw water which is contaminated with dust & solvents (eg. paint thinners, gasoline, oil, etc.), (vii) Repair done by unauthorized service people, (viii) Those parts subject to wear & tear due to normal operations and plastic parts, rubber items etc, (ix) Loose connections, faulty electrical fixtures & fluctuations in power supply.
4. Should any failure occur during or after the warranty period, customer does not have the right to interrupt payment / price discount.
 5. Incidental or consequential damages like inconvenience commercial loss, loss of tie, mental agony etc.
 6. Loss of any nature due to operation or non-operation is not covered under warranty.
 7. All free service are at Dealer's service point only.
 8. Warranty ceases if service is not done periodically.
 9. The attached card should be completed and returned to Ratnagiri Impex Pvt. Ltd. for registration immediately after sale / delivery.
 10. The warranty is void unless you register the warranty card with Ratnagiri Impex Pvt. Ltd.
 11. The decision of Ratnagiri Impex Pvt. Ltd., in settling the warranty is final in all respects.
 12. All disputes are subject to Bangalore Courts Jurisdiction

1. **LIMITED WARRANTY PERIOD** : For a period of six months from the date of Sale / delivery of the product which ever is earlier. 2. **LIMITED WARRANTY OBLIGATION** : Replacement of defective part(s) by authorized dealer are free of charges. If found defective by reasons of defective material / poor workmanship, parts will be replaced and there will be no value re-imbusement. 3. **TERMS & CONDITIONS** : a. Claims under warranty will be accepted on submission of Warranty Card duly filled and stamped by authorized dealer together with the original purchase document. : b. Shipping / transportation / Incidental charges incurred in replacing defective parts under warranty shall be borne by the purchaser.

WARRANTY null & void if

- (i) Lack of maintenance, (ii) Incorrect use of the machine or tampering, (iii) Use of non-genuine spare parts, (iv) Usage of acids, solvents, or any flammable materials, (v) Non-usage of filter water / clear water / soft water & using water above 40°C temperature, (vi) While using the pressure washers to draw water which is contaminated with dust & solvents (eg. paint thinners, gasoline, oil, etc.), (vii) Repair done by unauthorized service people, (viii) Those parts subject to wear & tear due to normal operations and plastic parts, rubber items etc, (ix) Loose connections, faulty electrical fixtures & fluctuations in power supply.
4. Should any failure occur during or after the warranty period, customer does not have the right to interrupt payment / price discount.
 5. Incidental or consequential damages like inconvenience commercial loss, loss of tie, mental agony etc.
 6. Loss of any nature due to operation or non-operation is not covered under warranty.
 7. All free service are at Dealer's service point only.
 8. Warranty ceases if service is not done periodically.
 9. The attached card should be completed and returned to Ratnagiri Impex Pvt. Ltd. for registration immediately after sale / delivery.
 10. The warranty is void unless you register the warranty card with Ratnagiri Impex Pvt. Ltd.
 11. The decision of Ratnagiri Impex Pvt. Ltd., in settling the warranty is final in all respects.
 12. All disputes are subject to Bangalore Courts Jurisdiction



**ratnagiri
impex**
BRINGING THE BEST TO YOU

1st Free Service Coupon

ISO 9001-2008
CERTIFIED COMPANY

FREE SERVICE COUPON (30 Days / 20 hrs (Which ever is earlier))

Model
AM - HPW - 5star

Serial Number

PDI Date

Purchase bill no. Date

Service No.

- Operations:
- Check and Test the Fuel Mixture.
 - Check and Clean the Air Filter
 - Check, Clean and Adjust the Spark plug
 - Check and Adjust the Carburetor Tuning
 - Check and Sharpen the cutting Tools
 - Start and Check the Noise, Vibration, Loosen / Fasteners etc.
 - Product familiarization on Usage
 - Routine maintenance and Storage

Dealer's Office Seal

Dealer Signature.....

Customer Signature.....

Conditions: Operations listed have been performed to my entire satisfaction without any labour charges. Only consumables were charged.



agriculture | horticulture | sericulture | plantations | forestry | garden | health care

WARRANTY AND FREE SERVICE COUPON



**ratnagiri
impex**
BRINGING THE BEST TO YOU

2nd Free Service Coupon

ISO 9001-2008
CERTIFIED COMPANY

FREE SERVICE COUPON (30 Days / 20 hrs (Which ever is earlier))

Model
AM - HPW - 5star

Serial Number

PDI Date

Purchase bill no. Date

Service No.

- Operations:
- Check and Test the Fuel Mixture.
 - Check and Clean the Air Filter
 - Check, Clean and Adjust the Spark plug
 - Check and Adjust the Carburetor Tuning
 - Check and Sharpen the cutting Tools
 - Start and Check the Noise, Vibration, Loosen / Fasteners etc.
 - Product familiarization on Usage
 - Routine maintenance and Storage

Dealer's Office Seal

Dealer Signature.....

Customer Signature.....

Conditions: Operations listed have been performed to my entire satisfaction without any labour charges. Only consumables were charged.



agriculture | horticulture | sericulture | plantations | forestry | garden | health care

WARRANTY AND FREE SERVICE COUPON



**ratnagiri
impex**
BRINGING THE BEST TO YOU

3rd Free Service Coupon

ISO 9001-2008
CERTIFIED COMPANY

FREE SERVICE COUPON (30 Days / 20 hrs (Which ever is earlier))

Model
AM - HPW - 5star

Serial Number

PDI Date

Purchase bill no. Date

Service No.

- Operations:
- Check and Test the Fuel Mixture.
 - Check and Clean the Air Filter
 - Check, Clean and Adjust the Spark plug
 - Check and Adjust the Carburetor Tuning
 - Check and Sharpen the cutting Tools
 - Start and Check the Noise, Vibration, Loosen / Fasteners etc.
 - Product familiarization on Usage
 - Routine maintenance and Storage

Dealer's Office Seal

Dealer Signature.....

Customer Signature.....

Conditions: Operations listed have been performed to my entire satisfaction without any labour charges. Only consumables were charged.

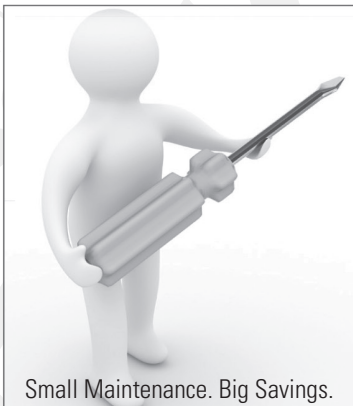


agriculture | horticulture | sericulture | plantations | forestry | garden | health care

WARRANTY AND FREE SERVICE COUPON



Small Maintenance. Big Savings.



Small Maintenance. Big Savings.



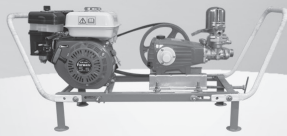
Small Maintenance. Big Savings.

Do's & Don'ts

- Always read the instruction manual supplied along with the equipments and understand the correct installation and operating procedures before attempting to use the equipments.
- It is important to use the personal protection equipments such as head helmet with visor, ear defenders, goggles, safety gloves, cut resistant shoes, trousers and jackets while operating potentially dangerous machines.
- Avoid untrained persons using the equipments. Children must not be allowed to handle these equipments.
- Always use genuine spares and accessories in repairs and usage to derive maximum life of the equipments.
- Always keep the equipments in good working condition to minimise loss of output as well as to reduce the pollution and save the environment.
- Do not use the machine within range of persons unless they wear protective clothing.
- Do not operate the machine when fatigued or under the influence of alcohol or drugs.
- When the machine is running, please maintain a constant water supply. Without water circulation will damage the sealing rings of the machine.
- To reduce the risk of injury, close supervision is necessary when a machine is used near children. High-pressure cleaner shall not be used by children or untrained person.
- For more query or doubts kindly contact for Service Team/Dealer

Agrimate Army For Pest Control

ANY WHERE - ANY TIME - ANY CROP




AGRIMATE[®]
Maximum Power - Super Economy

RATNAGIRI IMPEX PVT., LTD.,
Annapurna House, #1/1G, 7th Cross, New Guddadahalli
Mysore Road, Bangalore - 560 026
Customer Care: 1800-425-3036
Email: marketing@ratnagiriimpex.com



Marketed by:
 **ratnagiri**
impeex
BRINGING YOU THE FUTURE... NOW

www.ratnagiriimpeex.com

AN ISO 9001:2008 CERTIFIED COMPANY