



**Green Panther**  
Naturally Powerful

# COMFORT 21 H

## GREEN PANTHER LAWN MOWER



# User Manual



**Fuel Efficient  
Powerful Honda Engine**



**To cover large area  
in less time**



**Multi-Purpose Professional  
Lawn Mower**

Note: Please read the following instructions before use. This book contains important information on SAFETY, ASSEMBLY, OPERATION & DISCLAIMER: DUE TO CONSTANT UPGRADATION, FEATURES AND SPECIFICATIONS ARE SUBJECT TO CHANGE WITHOUT NOTICE

## MANUAL CONTENTS

## Page No.

Introduction	3
Safety instructions	4
Setting up	5
Engine Oil	6
Removing Mulch Plugs	7
Maintenance	8
Benefits for you	10
Useful Mulch Mowing tips	11
Spare parts	12
Free Service coupon	16
Warranty Card	18
Do's & Dont's	19

## CARTON CONTENTS

## Quantity

Green Panther COMFORT 21 H Lawn Mower	
1	
User manual	1
Engine manual	1
Grass catcher assembly	

## FREE ACCESSORIES

Spare Blade (4 Blades)	1Set
Safety Articles	1Set
Repair Tools For Enigne	1Set
Repair Tools For Mower	1Set

NB. Mowers which have the mulch option will have the mulch Plug fitted into the rear chute of the mower.



## INTRODUCTION

Congratulations on your purchase of Green Panther COMFORT 21 H Lawn Mower. This manual covers the setting up, operation and maintenance of the Green Panther COMFORT 21 H Lawn Mower. Please read and understand this owner's manual before using the mower. If any point is unclear, contact The manufacturer or agent. To emphasise special information the following WARNING and CAUTION highlights are used.

### TECHNICAL SPECIFICATION

MODEL	COMFORT 21-H LAWN MOWER STEEL DECK
TYPE	SELF PROPELLED
ENGINE	HONDA/GXV-160 /OHV
ENGINE STARTING	EASY PULL START SYSTEM
AREA	TO COVER AN AREA OF 2000M <sup>2</sup>
DRIVE SPEED(MIN-MAX)	0-3.96 KM/HR
CUTTING HEIGHT	15MM-75MM-10STAGES-SINGLE LEVER
CUTTING WIDTH	21"/533MM
NET/GROSS WEIGHT	42.5KGS/45.5KGS
WHEELS	8"-FRONT & REARX45MM TYRE WIDTH WITH BALL BEARING
DISK BLADE	FLAIL -SWING BACK BLADE SYSTEM-4 BLADES, DISK TYPE
SAFETY	BREAK LEAVER FOR IMMEDIATE STOP
GRASS DISCHARGE	REAR COLLECTION
GRASS BAGS	SEMI HARD PLASTIC CATCHER-70LITRES
ACCESSORIES-FREE	SPARE BLADE 1SET(4BLADES), SAFETY ARTICLES, USER MANUAL, REPAIR TOOLS FOR ENIGNE & MOWER

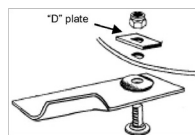
## MAINTENANCE

Please keep the manual and the engine booklet for your future reference. They contain important information about your mower.



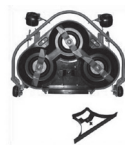
# SAFETY INSTRUCTIONS

- Never mow while barefoot or wearing open sandals. Wear long trousers and heavy shoes
- Know your controls. Read the owner's manual carefully.  
Learn how to stop the engine quickly in any emergency
- Make sure the lawn is clear of sticks, stones, bones, wire and debris.  
They could be thrown by the blade
- Stop the engine and disconnect the spark plug wire before clearing blockages, checking, or working on the mower.
- Before using, always visually inspect to see that blades, blade bolts and cutter assembly are not worn or damaged. Replace worn or damaged blades in sets to preserve balance.



## DAMAGED BLADES AND WORN BOLTS ARE MAJOR HAZARDS.

- Check all nuts, bolts and screws often; always be sure the mower is in a safe operating condition. Use only genuine replacement parts.
- Refuel outdoors only. Do not smoke while fuelling engine. Add fuel before starting the engine. Never remove the cap off the fuel tank or add fuel while the engine is running or the engine is hot.  
If fuel is spilled, do not attempt to start the engine but move the machine away from the area of the spill and avoid creating any source of ignition until fuel vapors have dissipated.
- Do not mow whilst people, especially children or pets are in the mowing area.
- Replace worn or faulty silencers (muffler)
- Mow only in good daylight.
- Never use the mower unless the grass catcher or guards (rear flap) provided by the manufacturer are in position.
- Start the engine carefully with feet well away from the blade.
- Do not operate the engine in a confined space where exhaust fumes (carbon monoxide) can collect.
- Stop the engine whenever you leave the mower, even for a moment.
- Do not allow children or people unfamiliar with these instructions to use the mower.
- Store the mower in a well-ventilated room away from naked flames found in hot water heaters.



- Do not over-speed the engine or alter governor settings.  
Excessive speed is dangerous and shortens the mower life.
- It is advisable to wear suitable eye protection when operating a mower.
- Turn the fuel off at the conclusion of mowing and reduce the throttle setting during engine run-out.
- Store fuel in a cool place in a container specifically designed for the purpose.  
In general, plastic containers are unsuitable.
- Stop the engine, disconnect the spark plug wire and inspect the mower if:
  - a) the mower begins to vibrate abnormally; or b) after striking a foreign object.
- Never cut grass while walking backwards
- Stop the engine before pushing the mower across gravel drives, walks or roads. Always walk, never run
- Mow across the face of slopes, never up and down.
- Exercise extreme caution when changing direction on slopes.  
Do not mow excessively on steep slopes.
- Never pick up or carry a mower when it is operating

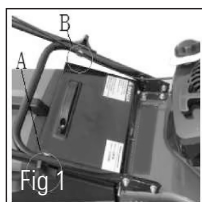


## SETTING UP

### Preliminary

- Open the lawn mower carton carefully folding back the carton top flaps.
- Lift out the plastic grass catcher components.
- With the aid of a second person carefully lift the lawn mower out of the carton and place on a level surface.
- Loosen the two handle bar pivot bolt knobs (A) (where fitted).
- Fold the handle bars out straight, inline with the lower handle bars. Tighten the two handle bar pivot bolt knobs (A) or the cam locks (B) to secure the handle bars in position.

Handle bar pivot bolt knobs



- Remove and discard the white protective packing sheet from the mower.



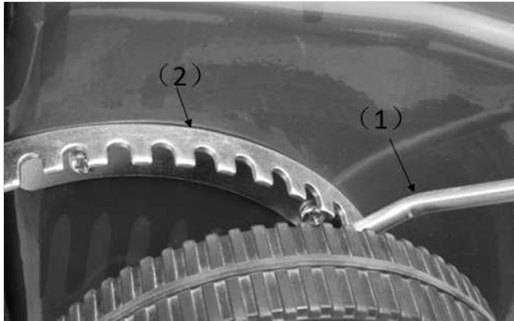
## ENGINE OIL

- The 4 stroke engine fitted to the lawnmower is shipped with no oil in the sump
- Oil must be added before attempting to start the engine otherwise damage to the engine will occur.

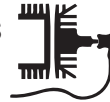
## ENGINE FUEL

- Use only fresh unleaded fuel in the lawnmower engine

## Adjusting the Cutting Height

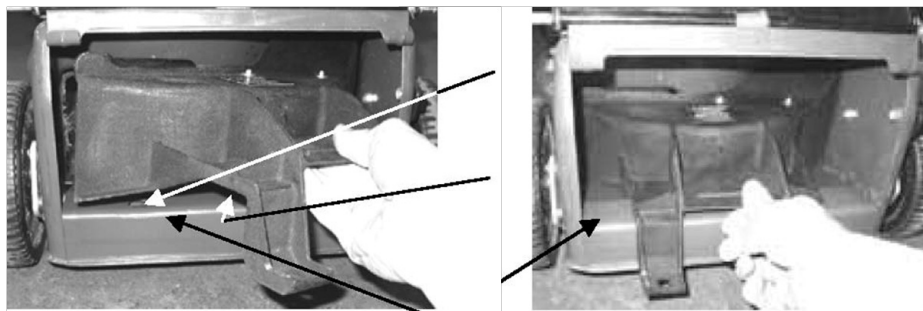


## OPERATION -Mulch Mowers Installing the Mulch Plug



- With the engine stopped, raise the rear flap of the mower and remove the grass catcher
- Insert the long right hand side of the mulch plug first into the rear chute of the mower. Refer to figure 7
- Rotate the left hand side into the rear chute of the mower and push it as far forward as possible.
- Align the two locating pins (1) (on the underside of the mulch plug) with the slots (2) in the top surface of the back ledge (3) of the mower base and lower the mulch plug until the lower face rests flat on top of the back ledge of the mower base. Refer to figures 7 & 8
- Lower the rear flap. To ensure the mulch plug is correctly seated, the rear flap should close against the vertical face of the mulch plug legs with clearance to the horizontal extensions.





Mulch plug installation (A) - Push Mower

Mulch plug installation (B) - Push Mower

## REMOVING THE MULCH PLUG

- With the engine stopped, raise the rear flap of the mower.
- Grasp the rear of the mulch plug and lift up and away from the mower.
- Guide the mulch plug out by rotating the shorter left hand side to the right and then guiding the longer right hand section until clear of the mower.



## OPERATION -All mowers

### To start the engine

Refer to the engine owner's manual for detailed starting procedure. Ensure that the engine oil is at the correct level and that the fuel tank is full of fresh unleaded fuel.

- Move the throttle control lever to the :- "CHOKE" position (where fitted) - or the "FAST" position and prime the engine. Refer to the engine owner's manual.
- Grasp rope handle and pull slowly until resistance is felt. Then pull the cord rapidly to overcome compression, prevent kickback and start engine. Repeat if necessary
- If a "Choke" is fitted move the throttle control lever to the "FAST" position after the engine starts

### TO STOP THE ENGINE

Move the throttle control lever to the "STOP" position, Wait till the engine comes to a complete stop before removing or fitting the grass catcher or mulch plug to the mower, or attempting any maintenance work on the mower.



# MAINTENANCE



## Warning

Before carrying out any maintenance on the mower remove the spark plug lead from the spark plug to prevent accidental starting

## Engine air cleaner

Refer to the engine owner's manual for detailed maintenance instructions. The engine air cleaner elements must be serviced after every 25 hours of normal mowing. The elements must be serviced more regularly if the mower is used in dusty conditions. Replace immediately if the element is damaged.

## Spark plug

Refer to the engine owner's manual for detailed maintenance instructions. For best results, remove the spark plug every 50 hours for gap checking and replace every 100 hours of use. Replace the spark plug at any time if it is found that the electrodes are pitted or burned or the porcelain cracked. For replacement refer to engine owner's manual for correct spark plug.

## Muffler

Check the condition of the muffler periodically for rust and cracks. Replace if found to be damaged as this can lead to increased exhaust noise. Replace only with a genuine original equipment part.

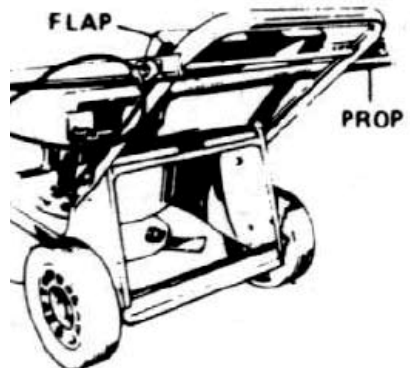
## Blades

Check the condition of the blades and central fasteners at regular intervals, or after striking a solid object, or if the mower begins to vibrate abnormally. The blades with use, will lose their sharp edge and the quality of the grass finish will deteriorate. When this happens, all the blades should be removed and replaced with a new set of blades. Always use genuine replacement blades and only replace blades in sets to maintain balance.



## CAUTION

Always ensure the engine is stopped and the spark plug lead is removed before attempting any maintenance on the mower. Secure the mower safely when tilted upwards to access the underside



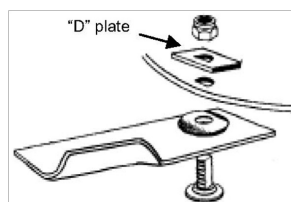


## Cutting Assembly

- With the engine stopped, remove the spark plug lead and grass catcher or mulch plug.
- Set the height of cut lever to the high cut position, and fold the handle bars.
- Tilt the mower so the spark plug is up.
- Inspect the cutting assembly for damage and wear.
- Check the disc retaining bolts. Tighten the centre bolt to 5762Nm and the three concentric bolts to 8-11Nm.
- Return the mower to its normal position and re-attach the spark plug lead

## Blade Change

- with the engine stopped, spark plug lead and grass catcher or mulch plug removed. open the discharge flap and prop in the open position.
- set the mower to the high cut position and fold the handle bar forward.
- Rotate the cutting assembly carefully to access the blade retaining bolts. refer fig 16
- using gloves and a suitable spanner, remove the blade assembly.
- Retain the "D" plates and discard the blades and fasteners.



*NB. Mowers fitted with a circular cutting disc must be fitted with a "D" plate*

- Fit new blades and fasten in the correct order. refer fig 16

## Cleaning

To ensure safe operation and long life it is recommended to clean the mower after every use. This will prevent corrosion, overheating and fire risk while ensuring ultimate performance.

### Cleaning the underside of the mower

Place the mower outdoors on a flat surface.

- Set the cut height to maximum.
- With the engine stopped, remove the grass catcher or mulch plug and lift open the discharge flap.
- Use a garden hose to wash out all the grass clippings.
- Inspect the underside and repeat the cycle if still not clean.

### Cleaning the upper side of the mower

- Use a dry cloth or soft brush to remove all loose clippings.
- Use a damp cloth with mild detergent to clean away oil or other grime.
- Wash the grass catcher and/or mulch plug separately from the mower with a hose. Wash all clippings out of the inside, outside and from the grass catcher mesh.
- Let the mower dry before storing.



## BENEFITS FOR YOU

Because you mulch as you mow the time and cost savings are also significant:

- Eliminating raking of leaves before mowing  
(Mulch mowing picks up and converts fallen leaves into mulch).
- Eliminating raking of cut grass.
- Saves time spent emptying the catcher.
- Automatically disposing of grass clippings.
- Eliminating the need to dispose of clippings at the refuse tip.

## BENEFITS TO YOUR LAWN

Research has shown that lawns are usually cut too short, grass, like any other plant life, relies on photosynthesis to regenerate and survive. Reduced leaf size (from cutting too low) can seriously effect a lawn by:

- Making it more susceptible to disease.
- Encouraging weeds to take hold.
- Exposing the soil to:
  - greater evaporation
  - temperature extremes
  - erosion

Raising the cut height and using mulch mowing follows the best practice for nurturing a healthier more attractive lawn with less water usage.

## MULCH MOWING INFORMATION

Some models are fitted with an option for mulch mowing. A mulch plug is supplied with these mowers and it is installed in the rear discharge chute (as noted in the "OPERATION" section of this manual) to perform mulch mowing. The following information provides advice on mulch mowing .

## MULCH MOWING

The mulch mowing setup reduces the grass clippings into very fine particles.

The design allows for the even distribution of the grass particles at the base of the lawn. The mulched clippings can then:

- Break down quickly, releasing nutrients into the soil, saving on fertilizer costs.
- Reduce evaporation of moisture from the soil which reduces watering costs and effort.
- Help to control temperature extremes protecting the roots of the grass.
- Assist in controlling soil erosion.



## USEFUL MULCH MOWING TIPS

Mulch mowing is an art form and to produce the best results consistently, follow these useful hints:

- Do not attempt to mulch if the grass is too wet.  
Wet grass tends to clump together and does not evenly spread out. It also clogs up the underside of the base.
- Do not mulch mow on too low a cutting height.  
Remember the maximum cut should be 25mm off the top of the grass, or 1/3rd the grass (blade) height, whichever is the lesser amount .
- Do not push the mower too fast.  
To obtain the best finish it may be necessary to regulate the ground speed.
- Run the engine at full throttle.  
Running the engine at low speed does not allow the blades to mulch the grass efficiently.
- Keep the mulch blades sharp.  
The mulch blades are designed to cut and re-cut the blades of grass. If the mulch blades are not kept sharp, mulching performance will be reduced.
- Keep the underside of the mower and mulch plug clean.  
Build-up of grass under the mower base blocks the airflow created by the mulch blade and reduces the mulching performance.
- If the conditions for mulch mowing are not ideal and some clipping trails are visible after cutting maybe necessary to:
  1. Fit the grass catcher and catch mow.
  2. Re-mow over the visible clippings.
  3. Raise the cut height.
  4. Rake the clippings up after mowing.

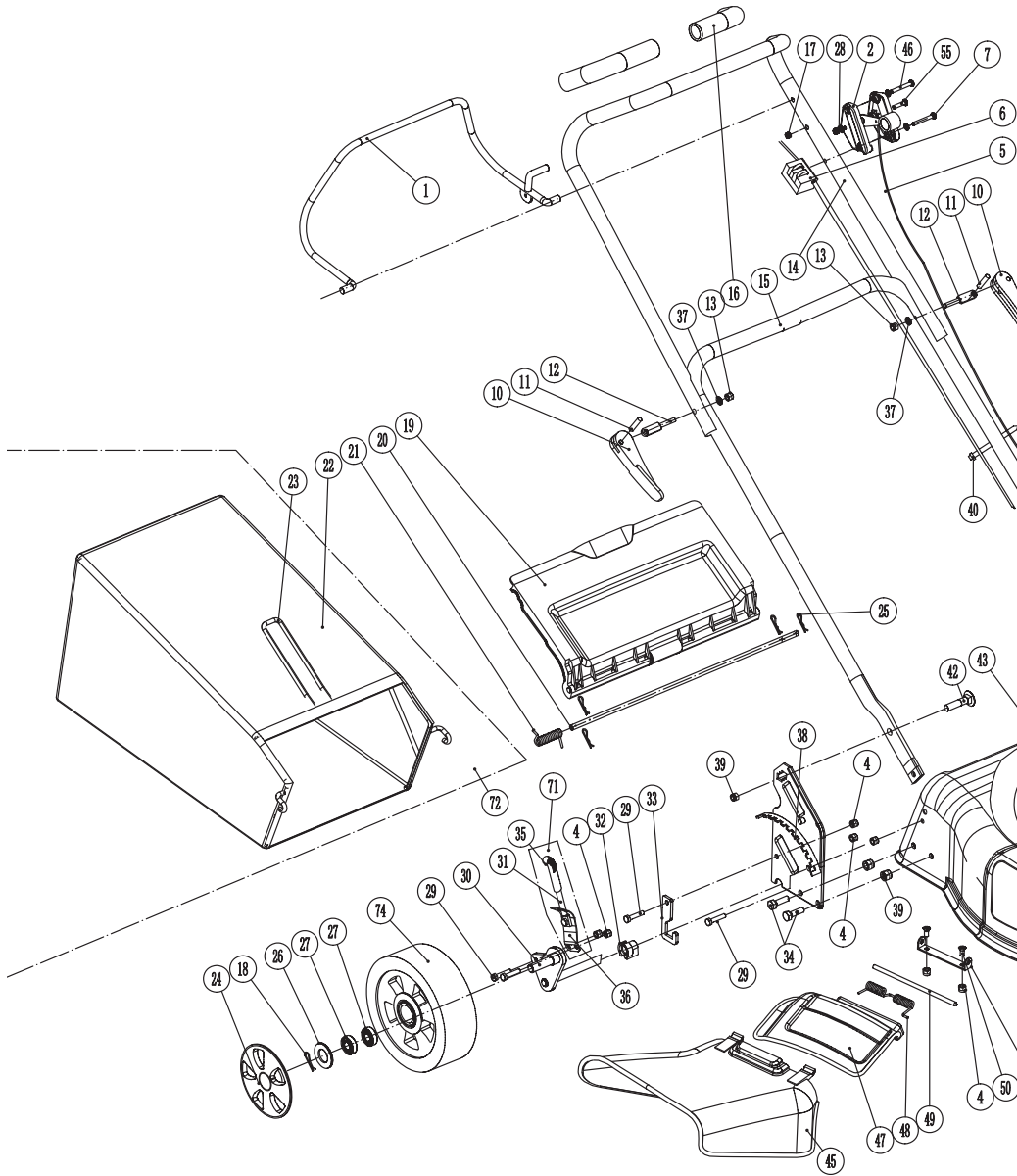
## MAINTENANCE

Mulching Equipment - For optimum mulching performance

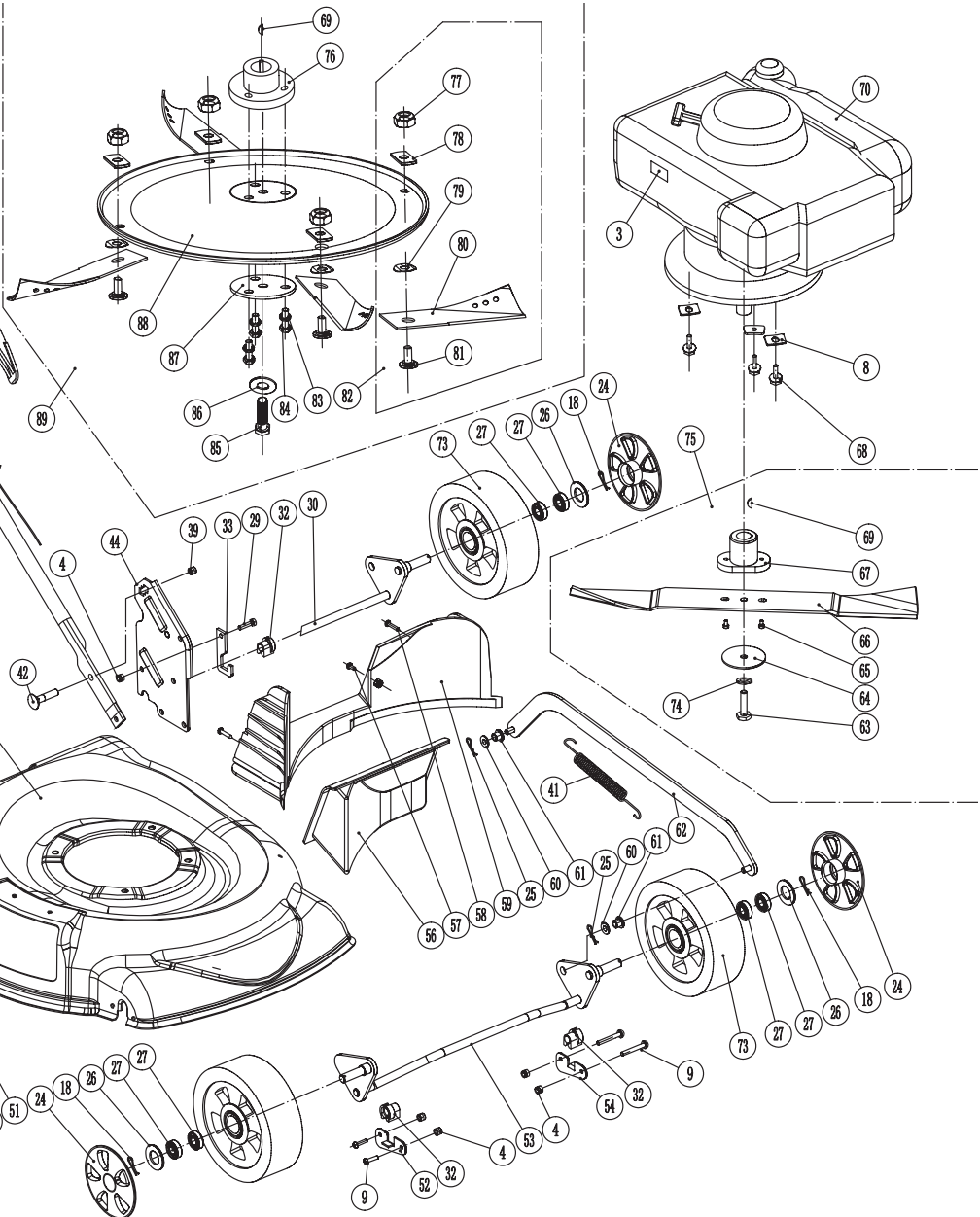
- The mulch blades are to be kept sharp.
- Maintain the blade sharpening angle when sharpening.
- Keep the cutting edge feather free when sharpening.
- Keep the underside of the mower deck and the mulch plug free of build-up.
- Refer to the Cleaning section on page 7.



# Green Panther Lawn Mower COMFORT 21 H - Spare Parts Diagram



# For Engine Diagram & Part No. please refer Honda GXV160 Manual



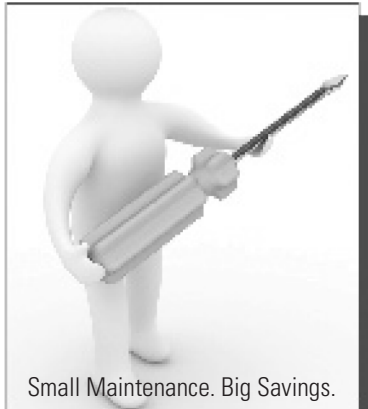
# GREEN PANTHER LAWN MOWER COMFORT 21 H - SPARE PARTS LIST

Part No.	Part No.	Description
GP-LM-C01	4012052	Asy Brake Handle
GP-LM-C02	5070400	Throttle control
	5070400	Throttle control
GP-LM-C03	6062410	Oiling Attention Label
GP-LM-C04	7020616	Locknut M6
GP-LM-C05	5071960	Throttle cable
GP-LM-C06	5072020	Brake Cable
GP-LM-C07	7260625	Screw M6x45
GP-LM-C08	4160220	Washer
GP-LM-C09	7260635	Screw M6x16
GP-LM-C10	4011610	Lock Handle
GP-LM-C11	7130516	Elastic Cylindrical Pin 5x20
GP-LM-C12	7010043A	Connecting Bolt
GP-LM-C13	7020009A	Locknut 5/16"
GP-LM-C14	4011800	Upper Handle
GP-LM-C15	4011805	Lower Handle
GP-LM-C16	4020540	Upper Handle Cover
GP-LM-C17	7020505	M5 Hex Nylon
GP-LM-C18	7130211	Pin 2.5x25
GP-LM-C19	4062900	Back Cover Plate
GP-LM-C20	4180310	Back Cover Axle
GP-LM-C21	7051212	Back Cover Spring
GP-LM-C22	4090768	Nylon Bag
GP-LM-C23	4090750	Nylon Bag Frame
GP-LM-C24	4060553	Wheel Cap
GP-LM-C25	7130202	R pin
GP-LM-C26	7031202	Flat Washer Cgrade 12
GP-LM-C27	7060015	Stamped Bearing(internal dia.12.7)
GP-LM-C28	7030501	Flat Washer Cgrade 5
GP-LM-C29	7010674	Bolt M6x16
GP-LM-C30	4210690	Asy Rear Axle
GP-LM-C31	4011262	H/ADJ Handle
GP-LM-C32	7081251	Axle Cover
GP-LM-C33	4020690	Rear Axle Support
GP-LM-C34	7010873	Bolt M8x20
GP-LM-C35	5010013	Handle cover
GP-LM-C36	4150270	Spring plate
GP-LM-C37	7030802	Flat Washer Cgrade 8
GP-LM-C38	4271150	Asy Right Bracket of Lower Handle
GP-LM-C39	7020811	Locknut M8
GP-LM-C40	7150018	Nylon Cable Tie
GP-LM-C41	7051508	Spring
GP-LM-C42	7180845	Step Bolt M8x20
GP-LM-C43	4240430	Deck
GP-LM-C44	4271160	Asy Left Bracket of Lower Handle

Part No.	Part No.	Description
GP-LM-C45	4090760	Chute Guide
GP-LM-C46	7260533	Screw M5x35
GP-LM-C47	4090770	Chute Cover
GP-LM-C48	7051011	Chute Cover Spring
GP-LM-C49	4181070	Chute Cover Pivot Rod
GP-LM-C50	7260652	Screw M6x16
GP-LM-C51	4281040	Chute Fix Base
GP-LM-C52	4151270	Front Axle Right Bracket
GP-LM-C53	4210705	Asy Front Axle
GP-LM-C54	4151280	Front Axle Left Bracket
GP-LM-C55	7260516	Screw M5x25
GP-LM-C56	4090730	Plug
GP-LM-C57	7260646	Screw M6x30
GP-LM-C58	7210505	Tapping Screw ST5.8x30
GP-LM-C59	4062910	Squab Panel
GP-LM-C60	7030810	Nylon Spacer
GP-LM-C61	7120190	Nylon Cover
GP-LM-C62	4050951	Asy Pull Rod
GP-LM-C63	7010025A	Straight Bar Blade Center Bolt
GP-LM-C64	4150240	Straight Bar Blade Pad
GP-LM-C65	7130850	Straight Bar Blade Safety Pin
GP-LM-C66	3090010	Straight Bar Blade
GP-LM-C67	4140400	Straight Bar Blade Boss
GP-LM-C68	7010018A	Tapping Screw
GP-LM-C69	7110408	Woodruff key
GP-LM-C70		Longcin LC1P70FA Engine
GP-LM-C71	4012030	Asy H/ADJ Handle
GP-LM-C72	4090746	Asy Nylon Bag
GP-LM-C73	8010880	Rear Wheel 8"PPB
GP-LM-C74	7041002	Straight Bar Blade Spring 10
GP-LM-C75	3050543	Asy Straight Bar Blade
GP-LM-C76	4016357	Boss
GP-LM-C77	7020008A	Locknut 3/8"
GP-LM-C78	4161700	D Type Washer
GP-LM-C79	4161710	Saddle Type Washer
GP-LM-C80	3016355	Swing Blade
GP-LM-C81	7181070	Swing Blade Bolt
GP-LM-C82	3050552	Asy Swing Blade
GP-LM-C83	7040003A	Spring Washer 5/16x1/8x3/32
GP-LM-C84	7010002	Inch Bolt 5/16-18x25
GP-LM-C85	7010020A	Center Bolt
GP-LM-C86	7031017	Center Bolt Flat Washer
GP-LM-C87	4151350	Disc Blade Pad
GP-LM-C88	3050530	Disc
GP-LM-C89	3050565	Asy Disc Blade



Small Maintenance. Big Savings.



Small Maintenance. Big Savings.



Small Maintenance. Big Savings.

# 1st Free Service Coupon

ISO 9001-2015  
CERTIFIED COMPANY

**FREE SERVICE COUPON (30 Days / 20 hrs (Which ever is earlier))**

Model

Serial Number

PDI Date

Service No.

Purchase bill no.  Date

Dealer's Office Seal & Signature

Customer Signature.....

*Conditions: Operations listed have been performed to my entire satisfaction without any labour charges. Only consumables were charged.*

WARRANTY AND FREE SERVICE COUPON

Bungalow | Hotels | Gardens | Stadium | Resorts | Lawns | Parks | Golf Course

# 2nd Free Service Coupon

ISO 9001-2015  
CERTIFIED COMPANY

**FREE SERVICE COUPON (30 Days / 20 hrs (Which ever is earlier))**

Model

Serial Number

PDI Date

Service No.

Purchase bill no.  Date

Dealer's Office Seal & Signature

Customer Signature.....

*Conditions: Operations listed have been performed to my entire satisfaction without any labour charges. Only consumables were charged.*

WARRANTY AND FREE SERVICE COUPON

Bungalow | Hotels | Gardens | Stadium | Resorts | Lawns | Parks | Golf Course

# 3rd Free Service Coupon

ISO 9001-2015  
CERTIFIED COMPANY

**FREE SERVICE COUPON (30 Days / 20 hrs (Which ever is earlier))**

Model

Serial Number

PDI Date

Service No.

Purchase bill no.  Date

Dealer's Office Seal & Signature

Customer Signature.....

*Conditions: Operations listed have been performed to my entire satisfaction without any labour charges. Only consumables were charged.*

WARRANTY AND FREE SERVICE COUPON

Bungalow | Hotels | Gardens | Stadium | Resorts | Lawns | Parks | Golf Course



1. **LIMITED WARRANTY PERIOD** : For a period of six months from the date of Sale / delivery of the product which ever is earlier. 2. **LIMITED WARRANTY OBLIGATION** : Replacement of defective part(s) by authorized dealer are free of charges. If found defective by reasons of defective material / poor workmanship, parts will be replaced and there will be no value re-imbursalment. 3. **TERMS & CONDITIONS** : a. Claims under warranty will be accepted on submission of Warranty Card duly filled and stamped by authorized dealer together with the original purchase document. : b. Shipping / transportation / Incidental charges incurred in replacing defective parts under warranty shall be borne by the purchaser.

**WARRANTY null & void if**

- (i) Lack of maintenance, (ii) Incorrect use of the machine or tampering, (iii) Use of non-genuine spare parts, (iv) Usage of acids, solvents, or any flammable materials, (v) Non-usage of filter water / clear water / soft water & using water above 40°C temperature, (vi) While using the pressure washers to draw water which is contaminated with dust & solvents (eg. paint thinners, gasoline, oil, etc.), (vii) Repair done by unauthorized service people, (viii) Those parts subject to wear & tear due to normal operations and plastic parts, rubber items etc, (ix) Loose connections, faulty electrical fixtures & fluctuations in power supply.
4. Should any failure occur during or after the warranty period, customer does not have the right to interrupt payment / price discount.
5. Incidental or consequential damages like inconvenience commercial loss, loss of tie, mental agony etc.
6. Loss of any nature due to operation or non-operation is not covered under warranty.
7. All free service are at Dealer's service point only.
8. Warranty ceases if service is not done periodically.
9. The attached card should be completed and returned to Ratnagiri Impex Pvt. Ltd. for registration immediately after sale / delivery.
10. The warranty is void unless you register the warranty card with Ratnagiri Impex Pvt. Ltd.
11. The decision of Ratnagiri Impex Pvt. Ltd., in settling the warranty is final in all respects.
12. All disputes are subject to Bangalore Courts Jurisdiction

- 
1. **LIMITED WARRANTY PERIOD** : For a period of six months from the date of Sale / delivery of the product which ever is earlier. 2. **LIMITED WARRANTY OBLIGATION** : Replacement of defective part(s) by authorized dealer are free of charges. If found defective by reasons of defective material / poor workmanship, parts will be replaced and there will be no value re-imbursalment. 3. **TERMS & CONDITIONS** : a. Claims under warranty will be accepted on submission of Warranty Card duly filled and stamped by authorized dealer together with the original purchase document. : b. Shipping / transportation / Incidental charges incurred in replacing defective parts under warranty shall be borne by the purchaser.

**WARRANTY null & void if**

- (i) Lack of maintenance, (ii) Incorrect use of the machine or tampering, (iii) Use of non-genuine spare parts, (iv) Usage of acids, solvents, or any flammable materials, (v) Non-usage of filter water / clear water / soft water & using water above 40°C temperature, (vi) While using the pressure washers to draw water which is contaminated with dust & solvents (eg. paint thinners, gasoline, oil, etc.), (vii) Repair done by unauthorized service people, (viii) Those parts subject to wear & tear due to normal operations and plastic parts, rubber items etc, (ix) Loose connections, faulty electrical fixtures & fluctuations in power supply.
4. Should any failure occur during or after the warranty period, customer does not have the right to interrupt payment / price discount.
5. Incidental or consequential damages like inconvenience commercial loss, loss of tie, mental agony etc.
6. Loss of any nature due to operation or non-operation is not covered under warranty.
7. All free service are at Dealer's service point only.
8. Warranty ceases if service is not done periodically.
9. The attached card should be completed and returned to Ratnagiri Impex Pvt. Ltd. for registration immediately after sale / delivery.
10. The warranty is void unless you register the warranty card with Ratnagiri Impex Pvt. Ltd.
11. The decision of Ratnagiri Impex Pvt. Ltd., in settling the warranty is final in all respects.
12. All disputes are subject to Bangalore Courts Jurisdiction

- 
1. **LIMITED WARRANTY PERIOD** : For a period of six months from the date of Sale / delivery of the product which ever is earlier. 2. **LIMITED WARRANTY OBLIGATION** : Replacement of defective part(s) by authorized dealer are free of charges. If found defective by reasons of defective material / poor workmanship, parts will be replaced and there will be no value re-imbursalment. 3. **TERMS & CONDITIONS** : a. Claims under warranty will be accepted on submission of Warranty Card duly filled and stamped by authorized dealer together with the original purchase document. : b. Shipping / transportation / Incidental charges incurred in replacing defective parts under warranty shall be borne by the purchaser.

**WARRANTY null & void if**

- (i) Lack of maintenance, (ii) Incorrect use of the machine or tampering, (iii) Use of non-genuine spare parts, (iv) Usage of acids, solvents, or any flammable materials, (v) Non-usage of filter water / clear water / soft water & using water above 40°C temperature, (vi) While using the pressure washers to draw water which is contaminated with dust & solvents (eg. paint thinners, gasoline, oil, etc.), (vii) Repair done by unauthorized service people, (viii) Those parts subject to wear & tear due to normal operations and plastic parts, rubber items etc, (ix) Loose connections, faulty electrical fixtures & fluctuations in power supply.
4. Should any failure occur during or after the warranty period, customer does not have the right to interrupt payment / price discount.
5. Incidental or consequential damages like inconvenience commercial loss, loss of tie, mental agony etc.
6. Loss of any nature due to operation or non-operation is not covered under warranty.
7. All free service are at Dealer's service point only.
8. Warranty ceases if service is not done periodically.
9. The attached card should be completed and returned to Ratnagiri Impex Pvt. Ltd. for registration immediately after sale / delivery.
10. The warranty is void unless you register the warranty card with Ratnagiri Impex Pvt. Ltd.
11. The decision of Ratnagiri Impex Pvt. Ltd., in settling the warranty is final in all respects.
12. All disputes are subject to Bangalore Courts Jurisdiction

## Warranty Card

CUSTOMER COPY

Purchaser's Name & Address

---

---

Product Name

COMFORT 21 H LAWN MOWER

Product Serial No.

---

---

Invoice / DN No.

---

Date of Delivery

---

Dealer's Office Seal

---

---

Dealer Sign \_\_\_\_\_

Customer Sign. \_\_\_\_\_

I/We accept the terms and conditions of Warranty as in the Warranty Card.



## Warranty Card

DEALER'S COPY

Purchaser's Name & Address

---

---

Product Name

COMFORT 21 H LAWN MOWER

Product Serial No.

---

---

Invoice / DN No.

---

Date of Delivery

---

Dealer's Office Seal

---

---

Dealer Sign \_\_\_\_\_

Customer Sign. \_\_\_\_\_

I/We accept the terms and conditions of Warranty as in the Warranty Card.



## Warranty Card

COMPANY COPY

Purchaser's Name & Address

---

---

Product Name

COMFORT 21 H LAWN MOWER

Product Serial No.

---

---

Invoice / DN No.

---

Date of Delivery

---

Dealer's Office Seal

---

---

Dealer Sign \_\_\_\_\_

Customer Sign. \_\_\_\_\_

I/We accept the terms and conditions of Warranty as in the Warranty Card.



# Do's & Don'ts

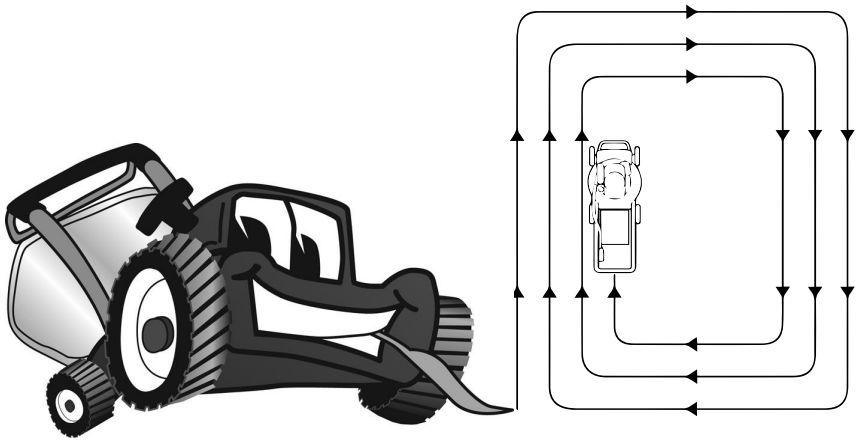
- Always read the instruction manual supplied along with the equipments and understand the correct installation and operating procedures before attempting to use the equipments.
- It is important to use the personal protection equipments such as head helmet with visor, ear defenders, goggles, safety gloves, cut resistant shoes, trousers and jackets while operating potentially dangerous machines.
- Avoid untrained persons using the equipments. Children must not be allowed to handle these equipments.
- Always use genuine spares and accessories in repairs and usage to derive maximum life of the equipments.
- Always keep the equipments in good working condition to minimise loss of output as well as to reduce the pollution and save the environment.
- Do not use the machine within range of persons unless they wear protective clothing.
- Do not operate the machine when fatigued or under the influence of alcohol or drugs.
- For more query kindly contact for our Service Center/Dealer/ franchise





## Mowing Patterns

Your COMFORT 21 H Green Panther Lawn Mower will work most efficiently if you use the following mowing patterns as much as possible. Cutter housing, equipment design and the direction in which the blades rotate, cause these mowing patterns to give the best results.



## OUR RANGE OF OTHER PRODUCTS



RATNAGIRI IMPEX PVT LTD  
Annapurna House, #1/1G, 7th Cross, New Guddadahalli  
Mysore Road, Bangalore-560 026  
Customer Care: 1800-425-3036  
email: [info@ratnagiriimpex.com](mailto:info@ratnagiriimpex.com)



 **ratnagiri<sup>®</sup>  
impex**  
BRINGING YOU THE FUTURE... NOW

[www.ratnagiriimpex.com](http://www.ratnagiriimpex.com)

AN ISO 9001:2015 CERTIFIED COMPANY