

# **KASEI**

## **OPERATOR'S MANUAL**

### **KZ-4000BC PRO-2S BRUSH CUTTER**



**With  
Japan  
Walbro  
carburetor**

#### Original Instructions

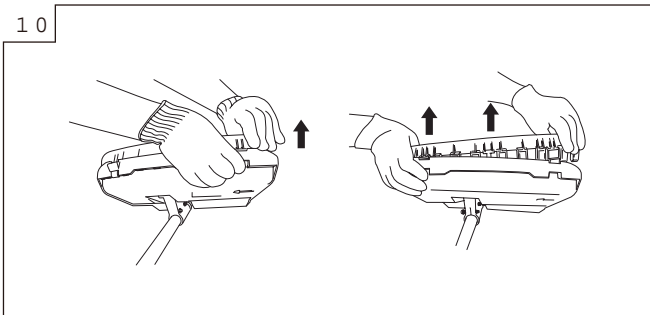
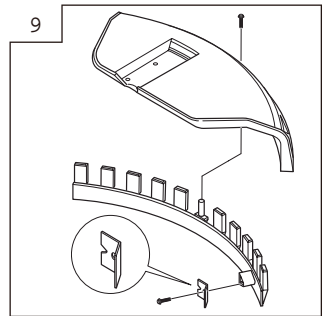
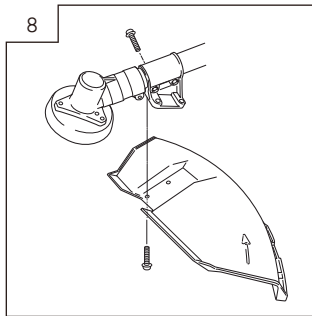
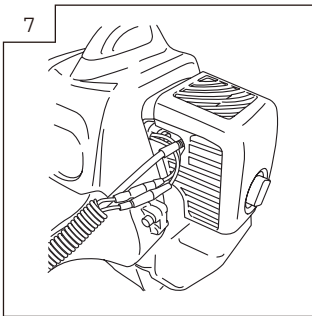
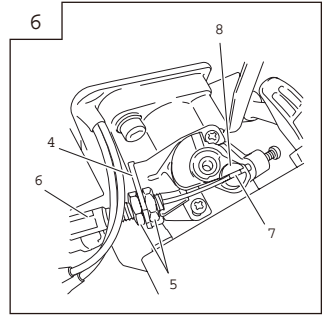
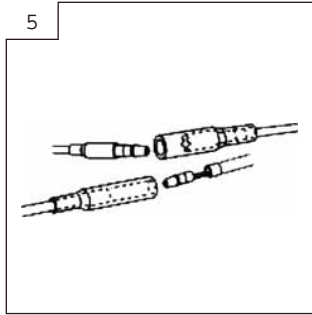
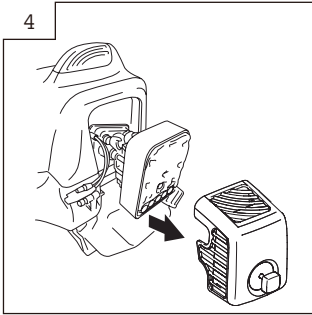
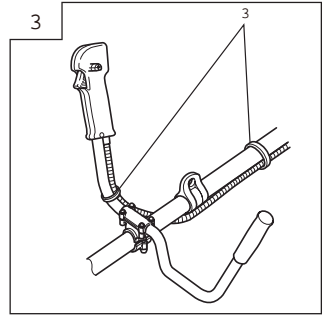
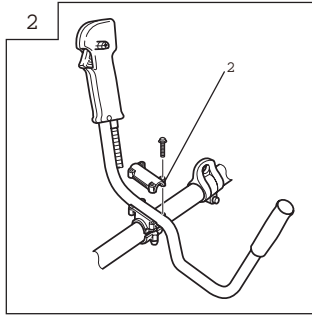
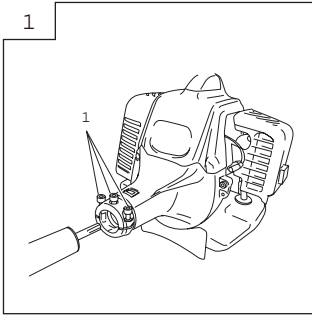
##### CAUTION:

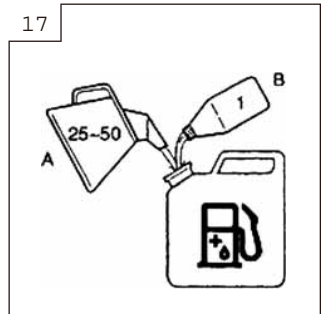
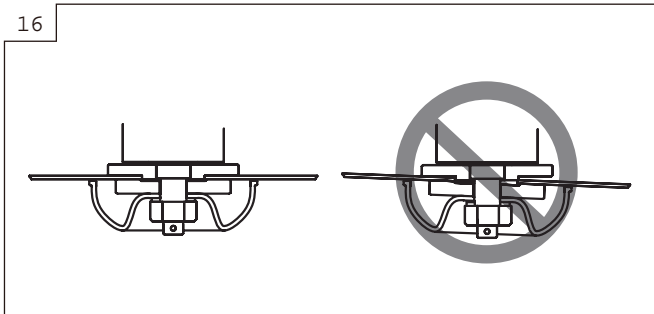
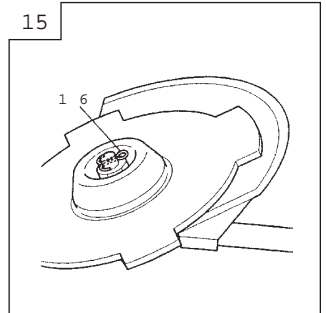
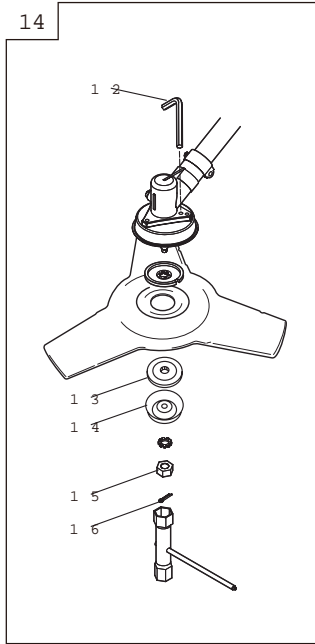
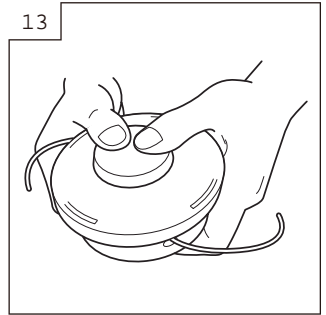
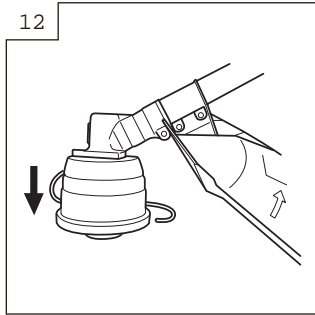
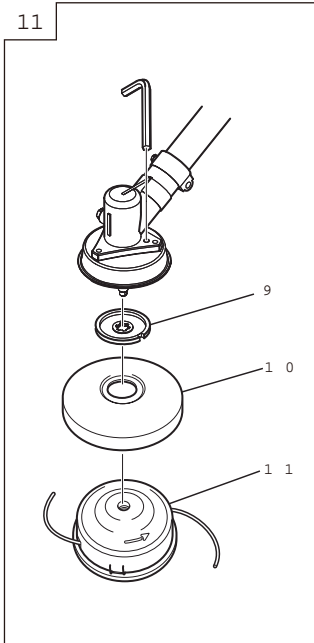
- Read all precautions and instructions in this manual before using this product. Keep this manual for future reference.
- Product may vary slightly from picture.

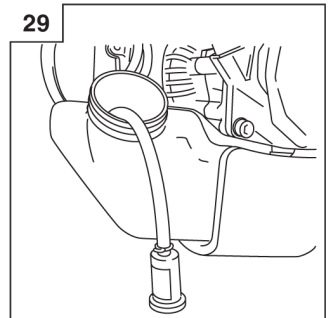
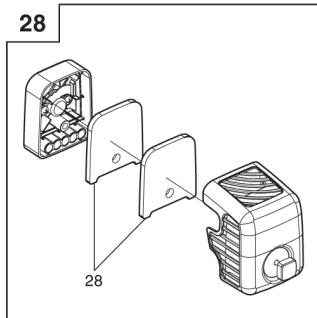
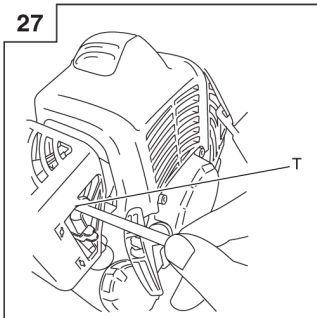
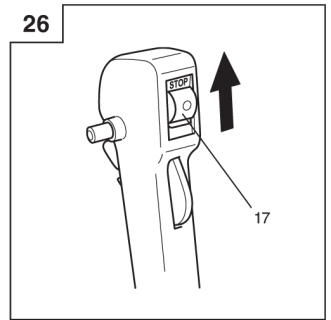
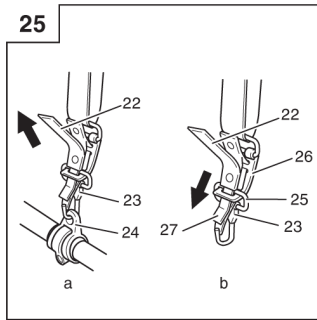
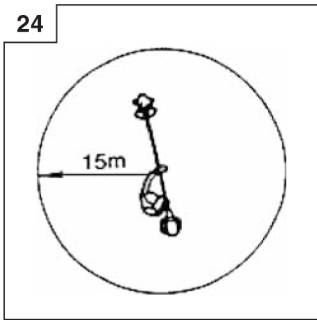
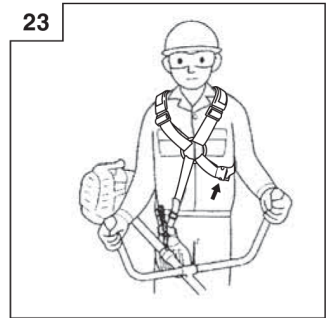
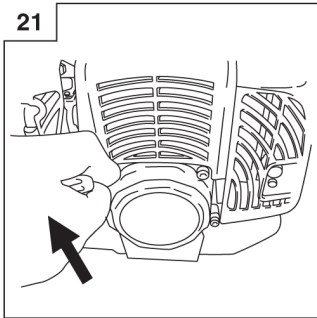
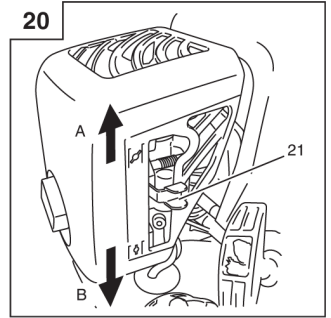
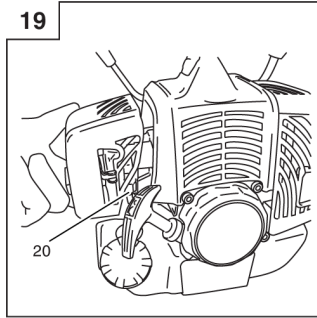
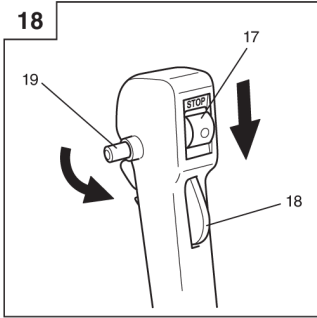


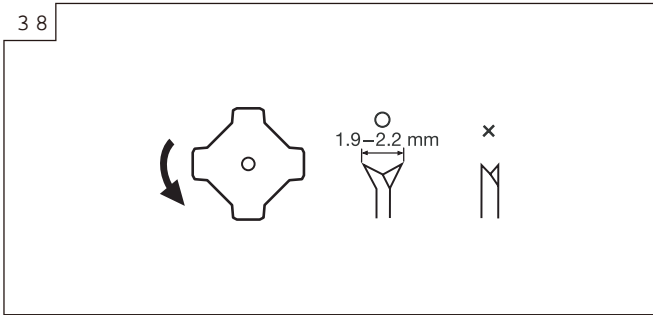
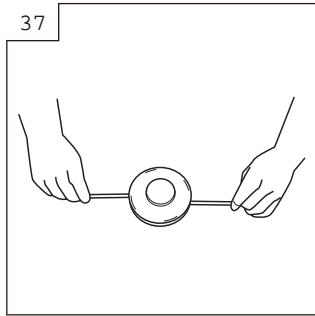
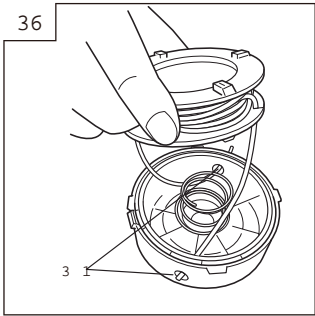
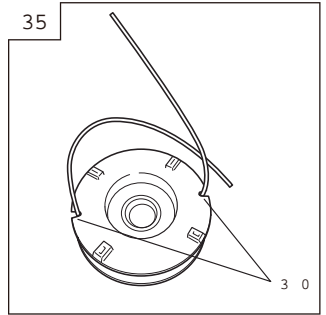
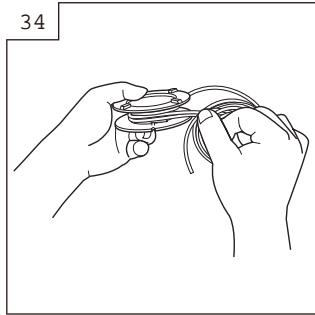
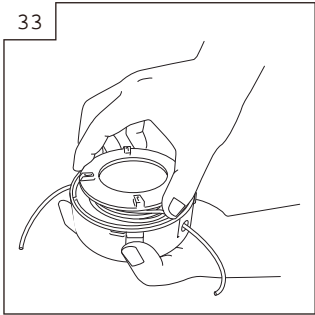
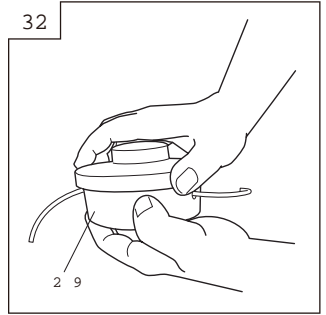
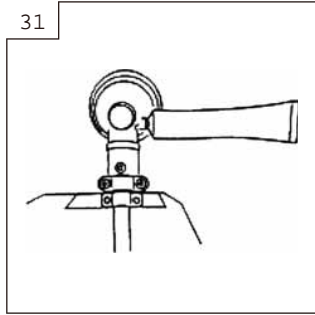
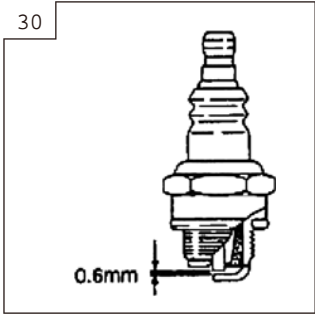
# CONTENTS

FIGURE.....	1
INTRODUCION.....	5
MEANINGS OF SYMBOLS.....	6
SAFETY RULES & PRECAUTIONS.....	7
DESCRIPTION.....	9
ASSEMBLY.....	10
RULES FOR SAFE OPERATION.....	12
OPERATING PROCEDURES.....	13
CUTTING WITH A NYLON HEAD.....	15
CUTTING WITH A BLADE.....	16
MAINTENANCE.....	17
TROUBLESHOOTING .....	20









## INTRODUCION

Thank you for your purchasing the brush cutter of our Company. The present manual explains how to handle the brush cutter well. Before using it, please read this operator's manual carefully, operate the machine correctly and engage in your task with safety. By the way, due to changes of specifications, all details of your machine may not agree with this manual. Please understand accordingly. The machine is only intended to be used to cut frutex, or soft vegetation.

Model	KZ-4000BC-PRO-2S		
Engine			
Displacement (cm <sup>3</sup> )	39,8		
Spark plug	NGK BPMR6A		
Idling speed (min <sup>-1</sup> )	2500—3000		
Speed of output shaft (min <sup>-1</sup> )	9100		
Max. engine output (kW)	1.31		
Fuel tank capacity (cm <sup>3</sup> )	1000		
Dry weight (kg)	7.6		
Cutting attachment Type / Dia. (mm)	Nylon cord		Metal blade / 255
Sound pressure level LpA (dB (A))	(ISO22868) Equivalent Uncertainty	86 3	84 3
Measured sound power level LwA (dB (A))	(ISO22868) Racing Uncertainty	108 3	107 3
Measured sound power level LwA (dB (A))	(2000/14/EC) Racing	108	107
Guaranteed sound power level LwA (dB (A))	(2000/14/EC) Racing	110	109
Vibration level (m/s <sup>2</sup> )	(ISO22867)		
Equivalent (Front / Left handle)		3.2	4.6
Equivalent (Rear / Right handle)		2.8	4.5
Uncertainty		1.5	1.5







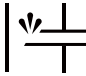










### NOTE

Equivalent noise level/vibration level are calculated as the time-weighted energy total for noise/vibration levels under various working conditions with the following time distribution: 1/2 Idle, 1/2 racing.

\* All data is subject to change without notice.

## MEANINGS OF SYMBOLS

NOTE: Some units do not carry them.

	<p><b>Symbols</b>   <b>WARNING</b>                  The following show symbols used for the machine. Be sure that you understand their meaning before use.</p>		
	It is important that you read, fully understand and observe the following safety precautions and warnings. Careless or improper use of the unit may cause serious or fatal injury.	<div style="border: 1px solid black; padding: 5px; display: inline-block;"><b>START</b></div>	On/Start
		<div style="border: 1px solid black; padding: 5px; display: inline-block;"><b>STOP</b></div>	Off /Stop
	Read, understand and follow all warnings and instructions in this manual and on the unit.		Fuel and oil mixture
	Always wear eye, head and ear protectors when using this unit.	<div style="font-size: 2em; font-weight: bold; text-align: center;">T</div>	Idle speed adjustment
	Keep all children, bystanders and helpers 15 m away from the unit. If anyone approaches you, stop the engine and cutting attachment immediately.		Priming pump
	Be careful of thrown objects.		Guaranteed Sound power level
	Shows maximum shaft speed. Do not use the cutting attachment whose max rpm is below the shaft rpm.		Hot Surface – Contact with hot surface can cause serious burns.
	Gloves should be worn when necessary, e.g., when assembling cutting equipment.		Blade thrust may occur when the spinning blade contacts a solid object in the critical area. A dangerous reaction may occur causing the entire unit and operator to be thrust violently. This reaction is called blade thrust. As a result, the operator may lose control of the unit which may cause serious or fatal injury. Blade thrust is more likely to occur in areas where it is difficult to see the material to be cut.
	Use anti-slip and sturdy footwear.		
	Choke - Run position (Open)		
	Choke - Start position (Closed)		
	Before using your machine <ul style="list-style-type: none"> <li>• Read the manual carefully.</li> <li>• Check that the cutting equipment is correctly assembled and adjusted.</li> <li>• Start the unit and check the carburetor adjustment. See "MAINTENANCE".</li> </ul>	<div style="border: 1px solid black; padding: 5px; display: inline-block;">                  Do not attach handle above this point             </div>	Indicate handle location. Do not attach handle above this point.



## SAFETY RULES & PRECAUTIONS

Proper and safety precautions must be observed. Like all power equipment this unit must be handled carefully. **DO NOT EXPOSE YOURSELF OR OTHERS TO DANGER.**

Follow these general rules. Do not permit others to use this machine unless they are thoroughly responsible and have read, and understand the machine manual and are trained in its operation. This machine is not to be operated by children.

- Before using and after dropping or other impacts, inspect the entire machine for loose parts (nuts, bolts, screws, etc.) and any damage. Repair or replace as necessary before using the machine.
- Always wear safety goggles for eye protection. Dress properly, do not wear loose clothing or jewelry that could become caught in moving parts of the unit. Safe, sturdy, nonskid footwear should always be worn. Long hair should be tied back. It is recommended that legs and feet be covered to protect from flying debris during operation.
- **DO NOT USE** any attachment with this power head other than the ones recommended by our company. Serious injury to the operator or bystanders could result as well as damage to the machine.
- Keep the handles free from oil and fuel.
- Always use proper handles and shoulder strap when cutting.
- Never remove the fuel tank cap while the engine is running.
- Never start or run the engine inside a closed room or building. Fumes from the exhaust contain dangerous carbon monoxide.
- Never attempt to make engine adjustments while the unit is running and strapped to the operator. Always make engine adjustments with the unit resting on a flat, clear surface.
- Do not pull on the cable.
- Do not lift the machine other than by the handle of the shaft.
- Do not rest the machine on the ground while the engine runs (e.g. in idling).
- Regular check for damages, failing of parts, component or cables.
- Do not use the unit if it is damaged or poorly adjusted. Never remove the machine's guard.

- Serious injury to the operator or bystanders could result as well as damage to the machine. Inspect the area to be cut and remove all debris that could become entangled in the nylon cutting head. Also remove any objects that the unit may throw during cutting.
  - Keep children away. Onlookers should be kept at a safe distance from the work area, at least 15 METER (50 FEET).
  - Never leave the machine unattended.
  - Do not use this unit for any job other than those for which it is intended as described in this manual.
  - Keep hands and feet clear of the nylon cutting head while unit is in use.
  - Do not use this type of machine for sweeping away debris.
  - Do not use the unit when you are tired, ill or under the influence of medication, drugs or alcohol.
  - Use nylon cutting head which is free of damage. If a stone or any other obstacle is hit, stop the engine and check the nylon cutting head. A broken or unbalanced nylon cutting head must never be used.
- FOLLOW INSTRUCTION FOR CHANGING ACCESSORIES.**
- Do not store in a closed area where fuel vapors can reach an open flame from hot water heaters, heaters, furnaces, etc. Store in a locked, well ventilated area only.
  - Ensure safe and proper performance of your product. These parts are available from your dealer. The use of any other accessories or attachments may cause a potential hazard or injury to the user, damage to the machine and void this warranty.
  - Clean the machine completely, especially, the fuel tank, its surroundings, and the air cleaner.
  - When refueling, be sure to stop the engine and confirm that it is cooled down. Never refuel when the engine is running or hot. When gasoline spills, be sure to wipe it up completely and properly dispose of those materials before starting the engine.
  - Stay clear of other workers or bystanders by at least 15 meters /50 feet.
  - When ever approaching an operator of the machine, carefully call his attention and confirm

that the operator stops the engine. Be careful not to startle or distract the operator which can cause an unsafe situation.

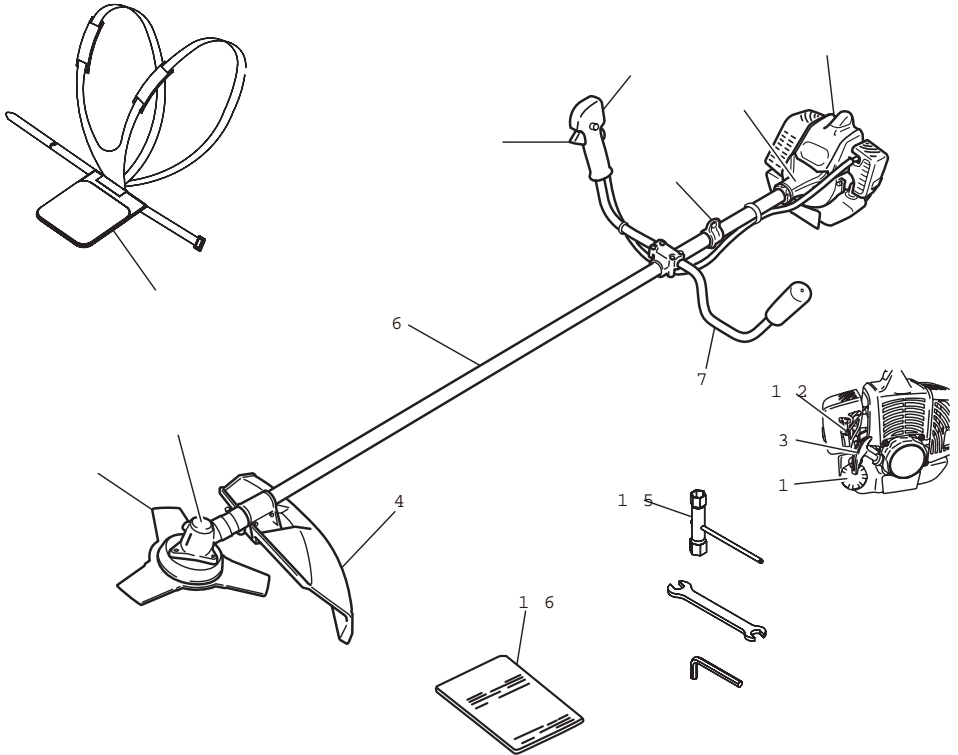
- Never touch the nylon cutting head when ever the engine is running. If it is necessary to adjust the protector or nylon cutting head, be sure to stop the engine and confirm that the nylon cutting head has stopped running.
- The engine should be turned off when the machine is moved between work areas.
- Be careful not to hit the nylon cutting head against stones, or the ground. Unreasonable rough operation will shorten the life of the machine as well as create an unsafe environment for yourself and those around you.
- Pay attention to loosening and overheating of parts. If there is any abnormality of the machine, stop operation immediately and check the machine carefully. If necessary, have the machine serviced by a authorized dealer. Never continue to operate a machine which may be malfunctioning.
- In start-up or during operation of the engine, never touch hot parts such as the muffler, the high voltage wire or the spark plug.
- After the engine has stopped, the muffler is still hot. Never place the machine in any places where there are flammable materials (dry grass, etc.), combustibile gasses or combustibile liquids.
- Pay special attention to operation in the rain or just after the rain as the ground may be slippery.
- If you slip or fall to the ground or into a hole, release the throttle lever immediately.
- Be careful not to drop the machine or hit it against obstacles.
- Before proceeding to adjust or repair the machine, be sure to stop the engine and detach the spark plug cap from the spark plug.
- When the machine is placed in storage for a long time, drain fuel from the fuel tank and carburetor, clean the parts, move the machine to a safe place and confirm that the engine is cooled down.
- Make periodic inspections to assure safe and efficient operation. For a thorough inspection of your machine, please contact a dealer.
- Keep the machine away from fire or spark.
- It is believed that a condition called Raynaud's

phenomenon, which affects the fingers of certain individuals may be brought about by exposure to vibration and cold. Exposure to vibration and cold may cause tingling and burning sensations followed by loss of color and numbness in the fingers. The following precautions are strongly recommended because the minimum exposure which might trigger the ailment is unknown.

- Keep your body warm, especially the head, neck, feet, ankles, hands and wrists. Maintain good blood circulation by performing vigorous arm exercises during frequent work breaks and also by not smoking.
- Limit the hours of operation. Try to fill each day with jobs where operating the brush cutter or other hand-held power equipment is not required.
- If you experience discomfort, redness and swelling of the fingers followed by whitening and loss of feeling, consult your physician before further exposing yourself to cold and vibration.
- Always wear ear protection, as being exposed to loud noise for long time can result in diminished hearing or even loss of hearing. Total face and head protection must be worn to prevent bodily injury from either slipping or falling into shrubbery, branches, or bushes.
- Wear no-slip heavy duty work gloves to improve your grip on the brush cutter handle. Gloves also reduce the transmission of machine vibration to your hands.
- **WARNING:** The cutter area is still dangerous while the machine is coasting to a stop.
- Note: Noise and vibration
- 1. The running at low speed can reduce the noise and quiver.
- 2. In order to lower noise, the brush cutter should be operated in an open environment.
- 3. The vibration can be lowered if the handle is grasped firmly.
- 4. In order to avoid disturbing others, the machine should be operated in daytime.
- 5. Wear personal protective equipment, such as gloves and ear protection during the operation.
- 6. The machine is not for professional work and not for long time operation.
- 7. "In order to keep the user's fit and prolong the machine's life, please do not work more than 2 hours in a whole day and don't keep working more than 10 minutes at a time.

## DESCRIPTION

Since this manual covers several models, there may be some difference between pictures and your unit. Use the instructions that apply to your unit.



1. Fuel cap
2. Throttle lever
3. Starter handle
4. Blade guard
5. Cutting attachment
6. Drive shaft tube
7. Handle
8. Suspension eyelet
9. Ignition switch
10. Harness
11. Clutch case
12. Choke lever
13. Engine
14. Angle transmission
15. Combi box spanner
16. Handling instructions

# ASSEMBLY

## Drive shaft to engine (Fig. 1)

Loosen tube locking bolt (1) about ten turns so that the bolt point will not obstruct drive shaft tube to be inserted. When inserting drive shaft tube, hold the tube locking bolt outward preventing inside fitting from obstructing as well.

Insert the drive shaft into the clutch case of the engine properly on the drive shaft tube meets the clutch case.

Some models may come with the drive shaft already installed.

### NOTE

When it is hard to insert drive shaft up to the marked position on the drive shaft tube, turn drive shaft by the cutter mounting end clockwise or counter-clockwise. Tighten tube locking bolt lining up the hole in the shaft tube. Then tighten clamp bolt securely (1).

## Installation of handle

Remove the handle bracket (2) from the assembly. (Fig. 2)

Place the handles and attach the handle bracket with four bolts lightly. Adjust to appropriate position. Then attach it firmly with the bolts.

Attach the protection tube to the drive shaft or handle using cord clamps (3). (Fig. 3)

### NOTE

If the protection tube is set apart from the handle or pipe, it will be caught by something during operation and it may cause serious injury. Do not set the protection tube apart from the handle or pipe.

## Throttle wire / stop cord

Remove air cleaner cover. (Fig. 4)

Connect stop cords. (Fig. 5)

Insert the stay (4) under the nut (5) screwed onto the outer end of the throttle wire (6) and connect the end of the throttle wire (7) to the carburetor (8). Then tighten the nut (5) to secure the throttle wire to the stay (4). (Fig. 6)

### NOTE

Check that the carburetor throttle returns to the idle position and also that it can be opened wide by operating the throttle lever.

Cover throttle wire and stop cords together with protective tube provided up to air cleaner cover. (Fig. 7)

Some models may come with the drive shaft already installed.

## Installation of blade guard (Fig. 8)

The guard bracket already mounted to the drive shaft tube. Install the blade guard on drive shaft tube against angle transmission. Tighten the guard bracket firmly so that the blade guard does not swing or move down during operation.

### ⚠ WARNING

If an incorrect or faulty guard is fitted, this may cause serious personal injury.

### CAUTION

The blade guard must be in place during operation. If the blade guard is not in place, there is a possibility of serious injury.

Blade guards are equipped with sharp line limiter. Be careful with handling it.

When using a trimmer head, attach the guard extension to the blade guard. (Fig. 9)

### NOTE

○ When attaching the guard extension to the blade guard, the sharp line limiter must be removed from the blade guard.

○ To remove the guard extension, refer to the drawings. Wear gloves as the extension has a sharp line limiter, then push the two square tabs on the guard one by one in order after removed the screw. (Fig. 10)

## Installation of cutting attachment

### ⚠ WARNING

Install the cutting attachment properly and securely as instructed in the handling instructions. If not attached properly or securely, it may come off and cause serious and/or fatal injury.

## Installation of semi-auto cutting head

### 1. Function

Automatically feeds more nylon cutting line when it is tapped at

low rpm (not greater than 4500 min-1).

Applicable nylon cord

Cord diameter:  $\Phi 2.5$  mm

### 2. Precautions

○ The case must be securely attached to the cover.

○ Check the cover, case and other components for cracks or other damage.

○ Check the case and button for wear.

○ The cutting head must be securely mounted to the unit's gear case.

○ For outstanding performance and reliability, always use Kasei nylon cutting line. Never use wire or other materials that could become a dangerous projectile.

○ If the cutting head does not feed cutting line properly, check that the nylon line and all components are properly installed. Contact Kasei Authorized Service Centers if you need assistance.

### 3. Installation (Fig. 11)

○ Attach cutter holder (9) to the gear case. Insert an Allen wrench into the hole in the gear case to attach winding protector (10) and attach nylon head (11) by turning it clockwise.

#### **NOTE**

Since cutter holder cap is not used here, keep it for next metal blade use.

### 4. Adjusting line length

○ Set the engine speed as low as possible and tap the head on the ground. The nylon line will be drawn out about 3 cm with each tap. (Fig. 12)

Also, you can extend the nylon line by hand but the engine must be completely stopped. (Fig. 13)

○ Adjust the nylon line to the proper length of 11–14 cm before each operation.

#### Installation of cutting blade (Fig. 14)

(If so equipped)

When installing a cutting blade, make sure that there are no cracks or any damage in it and that the cutting edges are facing the correct direction.

#### **NOTE**

○ When installing cutter holder cap (14), be sure to set concave side upward.

○ Insert the alien wrench (12) into the hole of the angle transmission in order to lock the cutter holder (13). Please note that the cutter fixing bolt or nut (15) has left-handed threads, (clockwise to loosen/ counter-clockwise to tighten). Tighten the fixing bolt or nut with the box wrench.

○ If your unit is of a nut securing type and equipped with a cotter pin, the blade must be retained with a new pin (16) each time installed.

(Fig. 15)

#### **CAUTION**

○ Before operation, make sure the blade has been properly installed. (Fig. 16)

○ If your unit is equipped with protection cover under a cutting blade, check it for wear or cracks before operation. If any damage or wear is found, replace it, as it is an article of consumption.

#### **⚠ WARNING**

For nylon heads, use only flexible, non-metallic line recommended by the manufacturer. Never use wire or wire ropes. They can break off and become a dangerous projectile.

#### **⚠ WARNING**

#### **INSTALLING NYLON LINE CUTTER HEAD**

Align hole in adapter plate with hole in shaft and install locking tool.

Thread cutter head onto shaft (turning it clockwise) until it is tight.

Remove locking tool.

## RULES FOR SAFE OPERATION

### NOTE

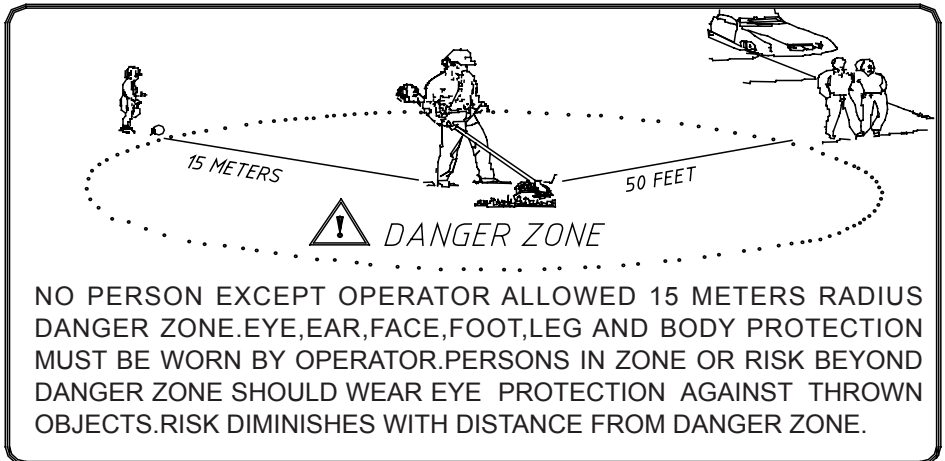
All models trimmers and brushcutters can throw small stone, metal or small objects as well as the material being cut. Read these "Rules for Safe Operation" with care. Follow the instructions in your operator's manual.

Read the operator's manual carefully. Be thoroughly familiar with the controls and proper use of the unit. Know how to stop the unit and shut off the engine. Know how to unhook a harnessed unit quickly.

Never allow anyone to use the unit without proper instruction. Be sure the operator wears the foot, leg, eye, face and hearing protection.

Do not rely on the debris shield on the unit to protect your eyes from ricocheting or throwing objects. Keep the area clear for bystanders, children and pets. Never allow children to operate or play with the unit.

Do not allow anyone to enter the operating DANGER ZONE with you. The danger zone is an area 15 meters in radius (about 16 paces) or 50 feet.



Insist that persons in the RISK ZONE beyond the danger zone wear eye protection from thrown objects. If the unit must be used where there are unprotected people, operate at a low throttle speed to reduce the risk of thrown objects.

Move the stop switch to "stop" position when the engine idles, insure it reliable before cutting. Only may continue to operate the unit when stop switch is in good condition.

Routines for checking that the cutting attachment stops turning when the engine idles.

### WARNING

- In addition to head, eye, face and ear protectors shoes to protect your feet improve your footing on slippery surfaces. Do not wear ties, jewelry, or loose, dangling clothing which could be caught in the unit.
- Do not wear opentoed footwear, or go barefoot or bare legged. In certain situations you must wear total face and head protection.
- Pay attention not to kick back and blade thrust.

# OPERATING PROCEDURES

## Fuel (Fig. 17)

### WARNING

- The trimmer is equipped with a two-stroke engine. Always run the engine on fuel, which is mixed with oil.  
Provide good ventilation, when fueling or handling fuel.
- Fuel contains highly flammable and it is possible to get the serious personal injury when inhaling or spilling on your body. Always pay attention when handling fuel. Always have good ventilation when handling fuel inside building.

### Fuel

- Always use branded 89 octane unleaded gasoline.
- Use genuine two-cycle oil or use a mix between 25:1 to 50:1, please consult the oil bottle for the ratio or Kasei Authorized Service Centers.
- If genuine oil is not available, use an antioxidant added quality oil expressly labeled for air-cooled 2-cycle engine use (JASO FC GRADE OIL or ISO EGC GRADE). Do not use BIA or TCW (2-stroke water-cooling type) mixed oil.
- Never use multi-grade oil (10 W/30) or waste oil.
- Always mix fuel and oil in a separate clean container.

Always start by filling half the amount of fuel, which is to be used. Then add the whole amount of oil. Mix (shake) the fuel mixture. Add the remaining amount of fuel.

Mix (shake) the fuel-mix thoroughly before filling the fuel tank.

### Fueling

### WARNING

- Always shut off the engine before refueling.
- Slowly open the fuel tank, when filling up with fuel, so that possible over-pressure disappears.
- Tighten the fuel cap carefully, after fueling.
- Always move the brush cutter at least 3 m from the fueling area before starting.  
Always wash any spilled fuel from clothing immediately with soap.

- Be sure to check for any fuel leakage after refueling.

Before fueling, clean the tank cap area carefully, to ensure that no dirt falls into the tank. Make sure that the fuel is well mixed by shaking the container, before fueling.

### Starting

### CAUTION

Before starting, make sure the cutting attachment does not touch anything.

1. Slide ignition switch (17) to START position. (Fig. 18)

\* Push priming bulb (20) several times so that fuel flows through return pipe. (Fig. 19)

2. With the safety trigger (18) (if so equipped) pressed, pull throttle trigger and push throttle lock (19). Then slowly release the throttle trigger first, then the safety trigger. This will lock the throttle in starting position.

3. Set choke lever (21) to START position (closed) (A). (Fig. 20)

4. Pull recoil starter briskly, taking care to keep the handle in your grasp and not allowing it to snap back. (Fig. 21)

5. When you hear the engine want to start, return choke lever to RUN position (open) (B). Then pull recoil starter briskly again.

### NOTE

If engine does not start, repeat procedures from 3 to 5.

6. After starting engine, pull throttle trigger to release throttle lock. Then allow the engine about 2–3 minutes to warm up before subjecting it to any load.

7. Check that the cutting attachment does not rotate when the engine is idling.

### Cutting (Fig. 22, 23, 24)

- When cutting, operate engine at over 6500 min-1. Extended time of use at low rpm may wear out the clutch prematurely.

- Cut grass from right to left.

- Blade thrust may occur when the spinning blade contacts a solid object in the critical area.

A dangerous reaction may occur causing the entire unit and operator to be thrust violently.

This reaction is called blade thrust. As a result, the operator may lose control of the unit which may cause serious or fatal injury. Blade thrust is more likely to occur in areas where it is difficult to see the material to be cut.

- Wear the harness as shown in the figure. The blade turns counter-clockwise, therefore, be advised to operate the unit from right to left for efficient cutting. Keep onlookers out of working area at least 15 m.
- Use in accordance with local laws and regulations.

#### **NOTE**

Pull emergency release flap in the event of emergency. (Fig. 25)

#### **How to use the shoulder harness**

Wear the shoulder harness on your shoulder as shown Fig. 23 and hook it on the hanger of the machine. Adjust the length of the shoulder harness to the most comfortable position. (Fig. 23)

To remove the machine from the shoulder harness, hold the main pipe of the machine firmly by one hand and then remove the hook (23) of the shoulder harness from the hanger (24). (Fig. 25-a)

#### **How to reinstall the hook after using the emergency release pinch**

It needs to go through the buckle (25) of the hook (23) to the metal plate (26) on the harness and go through the plate (27) of the emergency release pinch to the metal plate (26) on the harness. (Fig. 25-b)

After installing the buckle onto the harness, pull the hook (23) and make sure the hook (23) is securely fixed on the harness, then hook it to the hanger (24). (Fig. 25-a)

#### **⚠ WARNING**

- When using the machine, wear the shoulder harness and hold the machine correctly with both hands. If you feel that there is something dangerous, separate the brush cutter from your body by pulling the emergency release pinch (22) of the harness to the direction of the arrow shown in Fig. 25-a.
- If the cutting attachment should strike against stones or other debris, stop the engine and make sure that the attachment and related parts are undamaged. When grass or vines wrap around attachment, stop engine and

attachment and remove them.

#### **NOTE**

If you pull the emergency release pinch without holding the machine, the machine will fall to your feet. Pull the emergency release pinch while holding the main pipe of the machine by one hand.

Before operation, make sure that the emergency release pinch on the shoulder harness is working properly.

#### **Stopping (Fig. 26)**

Decrease engine speed and run at an idle for a few minutes, then turn off ignition switch (17).

#### **⚠ WARNING**

A cutting attachment can injure while it continues to spin after the engine is stopped or power control is released. When the unit is turned off, make sure the cutting attachment has stopped before the unit is set down.

#### **Semi-auto cutting head**

- When cutting, operate engine at over 6500 min-1. Extended time of use at low rpm may wear out the clutch prematurely.
- Cut grass from right to left.

#### **⚠ WARNING**

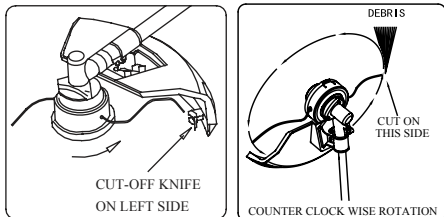
A cutting attachment can injure while it continues to spin after the engine is stopped or power control is released. When the unit is turned off, make sure the cutting attachment has stopped before the unit is set down.

Automatically feeds more nylon cutting line when it is tapped at low rpm (not greater than 4500 min-1).



## CUTTING WITH A NYLON HEAD

Line head rotates in a **CLOCKWISE** direction. The **CUT-OFF KNIFE** will be on the right side of the debris shield.



For nearly all cutting, it is good to tilt the line head so that contact is made on the part of the line circle where the line is moving **AWAY** from you and the debris shield. (See appropriate picture) This results in the debris being thrown **AWAY** from you.

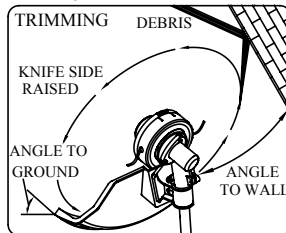
### **⚠ WARNING**

- The proper debris shield must be in place on the unit when nylon cutting line is used. The cutting line can flap around if too much line is exposed. Always use the plastic debris shield with cut-off knife when using nylon cutting heads.
- Tilting the head to the wrong side will shoot the debris **TOWARDS** you. If the line head is held flat to the ground so that cutting occurs on the whole line circle, debris will be **THROWN** at you, drag will slow the engine down, and you will use up a lot of line.
- Use only quality nylon monofilament line of the diameter 2.5mm. Never use wire or wire-reinforced line in place of nylon trimmer line. Load your nylon line cutting head only with nylon trimmer line of the proper diameter.
- Use extreme caution when operating over bare spots and gravel, because the line can throw small rock particles at high speeds. Debris shields on the unit cannot stop objects which bounce or ricochet off hard surfaces.

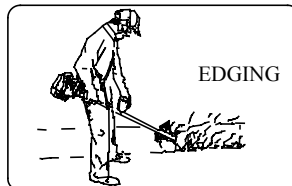
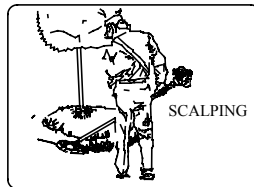
### **TRIMMING**

This is feeding the trimmer carefully into the material you wish to cut. Tilt the head slowly to direct debris away from you. If cutting up to a barrier such as fence, wall or tree, approach from an angle where any debris ricocheting off the barrier will fly away from you. Move the line head

slowly until the grass is cut right up the barrier, but do not jam (overfeed) the line into the barrier. If trimming up to a wire mesh or chain linked fence be careful to feed only up to wire. If you go too far the line will snap off around the wire.



Trimming can be done to cut through weed stems one at a time. Place the trimmer line head near the bottom of the weed - never high up which could cause the weed to chatter and catch the line. Rather than cut the weed right through, just use the very end of the line to wear through the stem slowly.



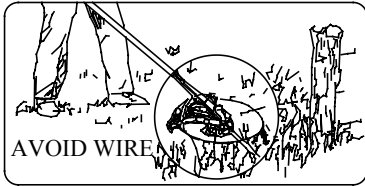
### **⚠ WARNING**

Do not use a steel blade for edging or scalping.

### **SCALPING AND EDGING:**

Both of these are done with the line head tilted at a steep angle. Scalping is removing top growth leaving the earth bare. Edging is trimming the grass back where it has spread over a sidewalk or drive way. During both edging and scalping, hold the unit at a steep angle and in a position where the debris, and any dislodging dirt and stones, will not come

back towards you even if it ricochets off the hard surface. Although the picture shows how to edge and scalp every operator must find for himself the angles which suits his body size and cutting situation.



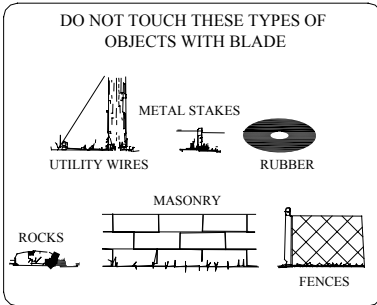
**⚠ WARNING**

Do not trim in any area where there are strands of fencing wire. Wear protective safety protecting, Do not cut where you cannot see what the cutting device is cutting.

**CUTTING WITH A BLADE**

There are many different types of however the two most commonly used are blades, however the two most commonly used are the following. BRUSHBLADE is used for cutting brush and weeds up to 3/4" in diameter. SAWBLADE is used for cutting growth from 3/4" to 3" in diameter.

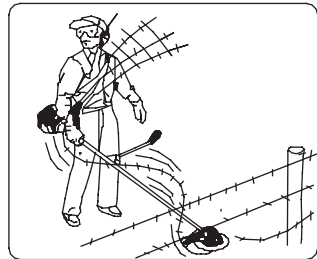
**⚠ WARNING**



away from the object that was hit. This reaction can be violent enough to cause the operator to lose control of the unit. Blade thrust may occur without warning if the blade snags, stalls or binds. This is more likely to occur in areas where it is difficult to see the material being cut. For cutting ease and safely, approach the weeds being cut from the right to the left, in the event that an unexpected object or woody stock is encountered, this could minimise the blade thrust reaction.

- DO NOT USE A BRUSH CUTTER FOR CUTTING TREES.
- Do not cut with dull, cracked or damaged metal blade. Before cutting growth, inspect for obstructions such as boulders, metal stakes or strands of wire from broken fences. If an obstruction cannot be removed, mark its location so that you can avoid it with the blade. Rocks and metal will dull or damage a blade. Wires can catch on the blade head and flap around or be thrown into the air.

Blade thrust is the reaction which may occur when the spinning blade contacts anything it cannot cut. This contact may cause the blade to stop for an instant, and suddenly "thrust" the unit



SCYTHING WEEDS. This is cutting by swinging the blade in a level arc. It can quickly clear areas of field grass and weeds. Scything should not be used to cut large, tough weeds or woody growths.

Scything can be done in both directions, or just in one way which results in the debris being thrown away from you.

That is using the side of the blade that it is away from you. Tilt down the blade slightly on this same

side. You will be hit by some debris if you scythe in both directions.

#### **NOTE**

- Do not use a brush blade to cut trees which exceed a diameter of 1/2 to 3/4 inches.
- Do not force the blade to cut. Do not change the angle of cut after into the wood. Avoid using any pressure or leverage which could cause the blade to bind or crack.

---

## **MAINTENANCE**

MAINTENANCE, REPLACEMENT OR REPAIR OF THE EMISSION CONTROL DEVICES AND SYSTEMS MAY BE PERFORMED BY ANY NON-ROAD ENGINE REPAIR ESTABLISHMENT OR INDIVIDUAL.

### **Carburetor adjustment (Fig. 27)**

#### **⚠ WARNING**

- The cutting attachment may be spinning during carburetor adjustments.
- Never start the engine without the complete clutch cover and tube assembled! Otherwise the clutch can come loose and cause personal injuries.

In the carburetor, fuel is mixed with air. When the engine is test run at the factory, the carburetor is basically adjusted. A further adjustment may be required, according to climate and altitude. The carburetor has one adjustment possibility:

**T = Idle speed adjustment screw.**

### **Idle speed adjustment (T)**

Check that the air filter is clean. When the idle speed is correct, the cutting attachment will not rotate. If adjustment is required, close (clockwise) the T-screw, with the engine running, until the cutting attachment starts to rotate. Open (counter-clockwise) the screw until the cutting attachment stops. You have reached the correct idle speed when the engine runs smoothly in all positions well below the rpm when the cutting attachment starts to rotate.

If the cutting attachment still rotates after idle speed adjustment, contact Kasei Authorized Service Centers.

#### **NOTE**

Standard Idle rpm is 2500–3000 min-1.

#### **⚠ WARNING**

When the engine is idling the cutting attachment must under no circumstances rotate.

### **Air filter (Fig. 28)**

The air filter must be cleaned from dust and dirt in order to avoid:

- Carburetor malfunctions
- Starting problems
- Engine power reduction
- Unnecessary wear on the engine parts
- Abnormal fuel consumption

Clean the air filter daily or more often if working in exceptionally dusty areas.

### **Cleaning the air filter**

Remove the air filter cover and the filter (28). Rinse it in warm soap suds. Check that the filter is dry before reassembly. An air filter that has been used for some time cannot be cleaned completely. Therefore, it must regularly be replaced with a new one. A damaged filter must always be replaced.

### **Fuel filter (Fig. 29)**

Drain all fuel from fuel tank and pull fuel filter line from tank. Pull filter element out of holder assembly and rinse element in warm water with detergent.

Rinse thoroughly until all traces of detergent are eliminated. Squeeze, do not wring, away excess water and allow element to air dry.

#### **NOTE**

If element is hard due to excessive dirt buildup, replace it.

### Spark plug (Fig. 30)

The spark plug condition is influenced by:

- An incorrect carburetor setting
- Wrong fuel mixture (too much oil in the gasoline)
- A dirty air filter
- Hard running conditions (such as cold weather)

These factors cause deposits on the spark plug electrodes, which may result in malfunction and starting difficulties. If the engine is low on power, difficult to start or runs poorly at idling speed, always check the spark plug first. If the spark plug is dirty, clean it and check the electrode gap. Re-adjust if necessary. The correct gap is 0.6 mm. The spark plug should be replaced after about 100 operation hours or earlier if the electrodes are badly eroded.

### NOTE

In some areas, local law requires using a resistor spark plug to suppress ignition signals. If this machine was originally equipped with resistor spark plug, use same type of spark plug for replacement.

### Angle transmission (Fig. 31)

Check angle transmission or angle gear for grease level about every 50 hours of operation by removing the grease filler plug on the side of angle transmission.

If no grease can be seen on the flanks of the gears, fill the transmission with quality lithium based multipurpose grease up to 3/4. Do not completely fill the transmission.

### Semi-auto cutting head

#### Nylon line replacement

(1) Remove the case (29) by firmly pushing inward the locking tabs with your thumbs as shown in **Fig. 32**.

(2) After removing the case, take out the reel and discard the remaining line. (**Fig. 33**)

(3) Fold the new nylon line unevenly in half as shown in picture. Hook the U-shaped end of the nylon line into the groove on the center partition of the reel.

Wind both halves of the line on the reel in the same direction, keeping each half of the line on its own side of the partition. (**Fig. 34**)

(4) Push each line into the stopper holes (30),

leaving the loose ends approx. 10 cm in length. (**Fig. 35**)

(5) Insert both loose ends of the line through the cord guide (31) when placing the reel in the case. (**Fig. 36**)

### NOTE

When placing a reel in the case, try to line up the stopper holes (30) with the cord guide (31) for easier line release later.

(6) Place the cover over the case so that the cap locking tabs on the case meet the long holes on the cover. Then push the case securely until it clicks into place.

(7) The initial cutting line length should be approx. 11–14 cm and should be equal on both sides. (**Fig. 37**)

### Blade (Fig. 38)

#### ⚠ WARNING

Wear protective gloves when handling or performing maintenance on the blade.

○ Use a sharp blade. A dull blade is more likely to snag and thrust. Replace the fastening nut if it is damaged and hard to tighten.

○ When replacing blade, purchase one recommended by Kasei, with a 25.4 mm (one inch) fitting hole.

When installing a saw blade, always face the stamped side up. In the case of a 3 tooth blade, it can be used on either side.

○ Use the correct blade for the type of work.

○ When replacing blades, use appropriate tools.

○ When cutting edges become dull, re-sharpen or file as shown in the illustration. Incorrect sharpening may cause excessive vibration.

○ Discard blades that are bent, warped, cracked, broken or damaged in any way.

### NOTE

When sharpening blade it is important to maintain an original shape of radius at the base of the tooth to avoid cracking.

### Maintenance schedule

Below you will find some general maintenance instructions. For further information please contact Kasei Authorized Service Centers.

### **Daily maintenance**

- Clean the exterior of the unit.
- Check that the harness is undamaged.
- Check the blade guard for damage or cracks.  
Change the guard in case of impacts or cracks.
- Check that the cutting attachment is properly centred, sharp, and without cracks. An off-centre cutting attachment induces heavy vibrations that may damage the unit.
- Check that the cutting attachment nut is sufficiently tightened.  
Make sure that the blade transport guard is undamaged and that it can be securely fitted.
- Check that nuts and screws are sufficiently tightened.
- Check that the unit is undamaged and free of defects.

### **Weekly maintenance**

- Check the starter, especially the cord and return spring.
- Clean the exterior of the spark plug.
- Remove it and check the electrode gap. Adjust it to 0.6 mm, or change the spark plug.
- Check that the angle gear is filled with grease up to 3/4.
- Clean the air filter.

### **Monthly maintenance**

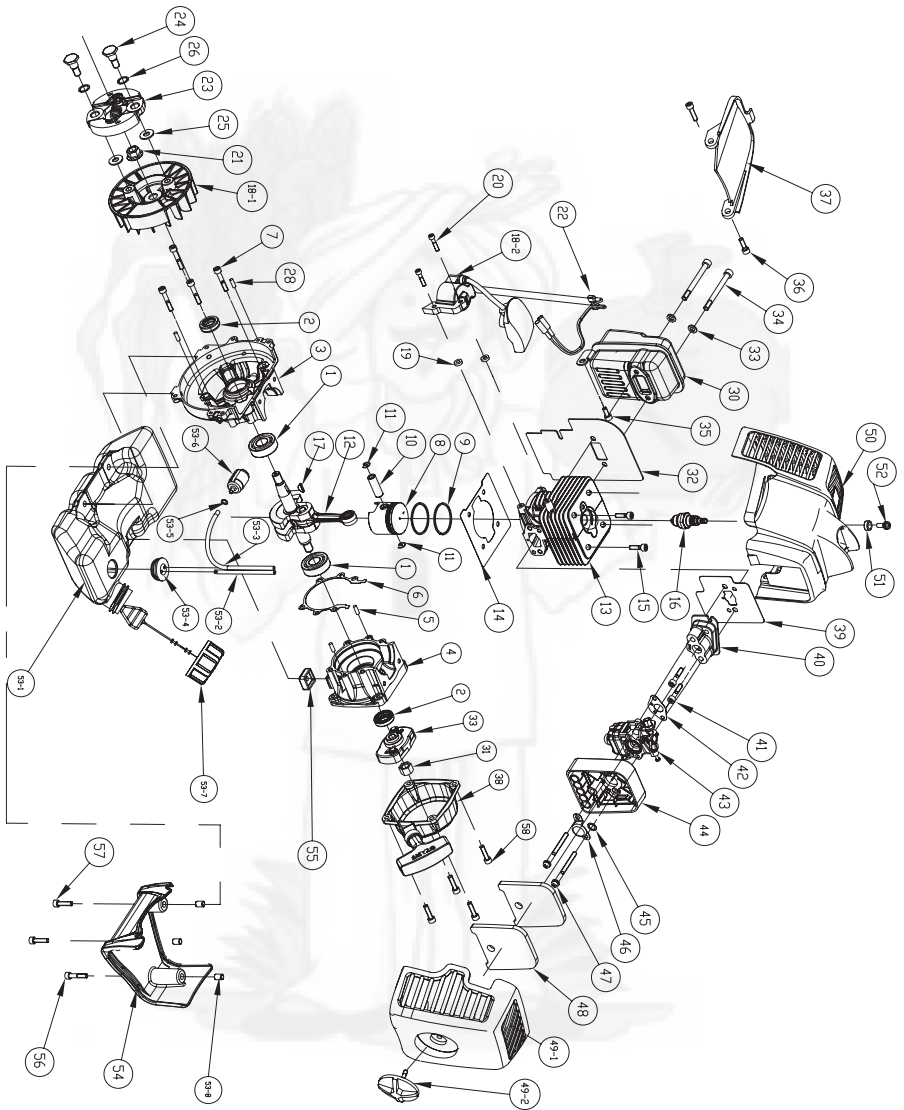
- Rinse the fuel tank with gasoline.
- Clean the exterior of the carburetor and the space around it.
- Clean the fan and the space around it.

# TROUBLESHOOTING

Use the inspections in the table below if the tool does not operate normally. If this does not remedy the problem, Contact Authorized Dealer / Service Center.

Condition		Cause	Remedy
Engine does not start	Fuel system	Fuel tank is empty or fuel level is low	Fill the fuel tank with the correct fuel mix (25:1-50:
		Fuel tank contains old fuel (offensive odor)	Replace with new fuel
		Too much fuel is absorbed and spark plug is wet	1.Disconnect the spark plug and allow to dry 2.Pull the starter handle 5 or 6 times to remove the surplus fuel 3.Attach the spark plug 4.Set the choke lever to RUN position and pull the starter handle
		Fuel filter is clogged with dirt	Clean the fuel filter
		Fuel pipe is bent or disconnected	Ensure that the fuel flows smoothly
		Carburetor malfunction	Contact Authorized Dealer / Service Center
	Electrical system	Stop switch lead has short-circuited	Contact Authorized Dealer / Service Center
		Spark plug is dirty	Replace or clean the spark plug
		Electrode gap is too big	Adjust the gap to 0.6mm
		Poor connection between high tension cable and spark plug	Reconnect
	Other	Electrical system malfunction	Contact Authorized Dealer / Service Center
		Muffler exhaust port is clogged with carbon	Contact Authorized Dealer / Service Center
Engine starts but cuts out straightaway	Fuel system	Fuel tank is empty or fuel level is low	Fill the fuel tank with the correct fuel mix (25:1-50:
		Fuel tank contains old fuel (offensive odor)	Replace with new fuel
		Two-cycle oil has not been added	Contact Authorized Dealer / Service Center
		Choke lever is in START position	Set the choke lever to RUN position
		Air has got into fuel system	Reconnect the fuel pipe or joint
Engine is apt to cut out	Electrical system	Carburetor malfunction	Contact Authorized Dealer / Service Center
		Ignition failure	
	Other	Spark plug failure	Replace with new spark plug
		Electrical system failure	Contact Authorized Dealer / Service Center
Abnormal vibration	Other	Engine overheating	
		Wrong spark plug model	Replace with designated part See "SPECIFICATIONS"
		Dirty air cleaner	Clean
		Carbon clogging (muffler exhaust port)	Clean
		Insufficient compression (piston, piston ring, cylinder)	Contact Authorized Dealer / Service Center
Engine is running but blade does not move Movement is poor	Other	Cutting attachment is not properly installed	See "Installation of cutting attachment"
		Handle, handle bracket or other fastening part is loose	Check and tighten
		Blade is bent or damaged	Replace with new blade
		Grass is wrapped round gear case	Remove grass
Engine does not stop	Other	Grass is wrapped round gear case	Remove grass and dirt
		Stop switch failure	Set the choke lever to START position to stop the engine Cease use immediately and contact Authorized Dealer / Service Center
Engine stops when throttle is closed	Other	Idle speed is too low	Contact Authorized Dealer / Service Center
Blade continues rotating when throttle is closed	Other	Idle speed is too high Throttle wire is too taut	Contact Authorized Dealer / Service Center

# KASEI-BRUSH CUTTER-KZ-400BC-PRO-2S-ENGINE DIAGRAM



## KASEI-BRUSH CUTTER-KZ-4000BC-PRO-2S-ENGINE SPARE PARTS LIST

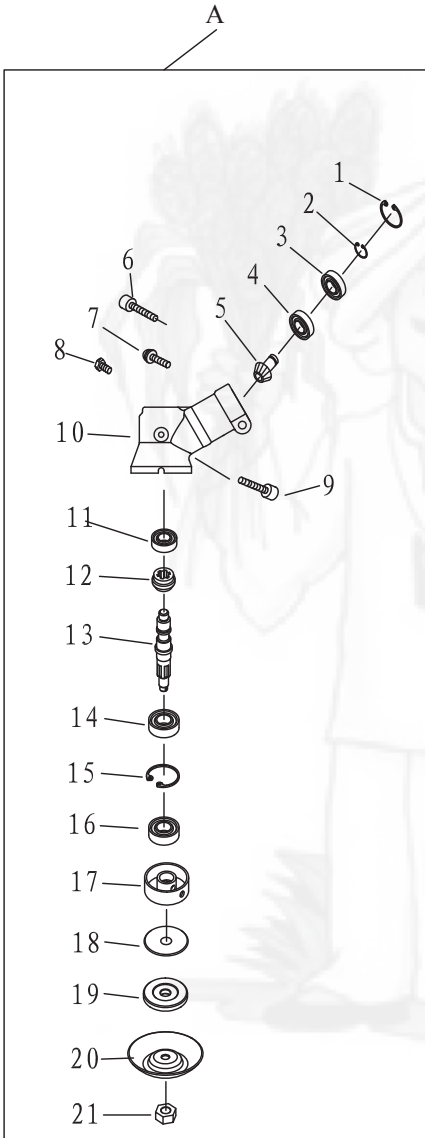
No	PART NO.	PART DESCRIPTION
No	PART NO.	PART DESCRIPTION
1	KZ-4000BC-EN-01	BEARING 6202/P4
2	KZ-4000BC-EN-02	OIL SEAL
3	KZ-4000BC-EN-03	CRANK CASE F
4	KZ-4000BC-EN-04	CRANK CASE R
5	KZ-4000BC-EN-05	PIN
6	KZ-4000BC-EN-06	GASKET CRANK CASE
7	KZ-4000BC-EN-07	SCREW 5×30
8	KZ-4000BC-EN-08	PISTON
9	KZ-4000BC-EN-09	PISTON RING
10	KZ-4000BC-EN-10	PISTON PIN
11	KZ-4000BC-EN-11	RING
12	KZ-4000BC-EN-12	CRANK SHAFT ASS'Y
		NEEDLE BEARING
13	KZ-4000BC-EN-13	CYLINDER
14	KZ-4000BC-EN-14	CYLINDER GASKET
15	KZ-4000BC-EN-15	SCREW 5×18
16	KZ-4000BC-EN-16	SPARK PLUG
17	KZ-4000BC-EN-17	KEY
18-1	KZ-4000BC-EN-18-1	ROTOR MAGNET
18-2	KZ-4000BC-EN-18-2	IG COIL
19	KZ-4000BC-EN-19	SPACER
20	KZ-4000BC-EN-20	SCREW 4×20
21	KZ-4000BC-EN-21	NUT M10×1.25
22	KZ-4000BC-EN-22	WIRE LEAD ASS'Y
23	KZ-4000BC-EN-23	CLUTCH ASS'Y
24	KZ-4000BC-EN-24	CLUTCH BOLT
25	KZ-4000BC-EN-25	CLUTCH WASHER
26	KZ-4000BC-EN-26	WAVE WASHER
27	KZ-4000BC-EN-27	FAN COVER
28	KZ-4000BC-EN-28	PIN
29	KZ-4000BC-EN-29	SCREW M5×20
30	KZ-4000BC-EN-30	MUFFLER
31	KZ-4000BC-EN-31	NUT M10×1.25
32	KZ-4000BC-EN-32	MUFFLER GASKET



## KASEI-BRUSH CUTTER-KZ-4000BC-PRO-2S-ENGINE SPARE PARTS LIST

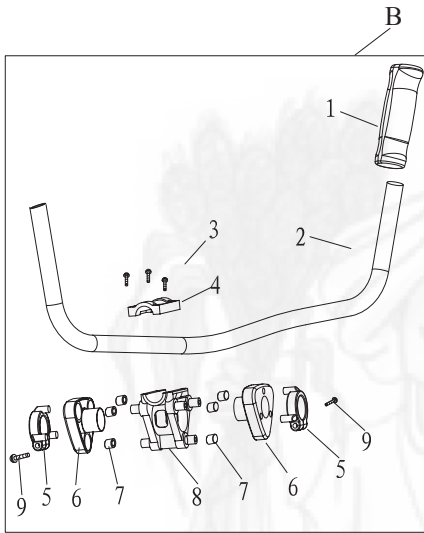
No	PART NO.	PART DESCRIPTION
33	KZ-4000BC-EN-33	STARTER PULLEY
34	KZ-4000BC-EN-34	SCREW M6×70-10.9
35	KZ-4000BC-EN-35	SCREW 5×12
36	KZ-4000BC-EN-36	SCREW 5×16
37	KZ-4000BC-EN-37	CLAPBOARD
38	KZ-4000BC-EN-38	STARTER
39	KZ-4000BC-EN-39	GASKET
40	KZ-4000BC-EN-40	INSULATOR
41	KZ-4000BC-EN-41	SCREW M5×25
42	KZ-4000BC-EN-42	CARBURETOR GASKET
43	KZ-4000BC-EN-43	CARBURETOR
44	KZ-4000BC-EN-44	CLEANER BODY
45	KZ-4000BC-EN-45	WASHER
46	KZ-4000BC-EN-46	SPIT BACK SHIELD
47	KZ-4000BC-EN-47	SCREW M5×55
48	KZ-4000BC-EN-48	FILTER
49-1	KZ-4000BC-EN-49-1	CLEANER COVER
49-2	KZ-4000BC-EN-49-2	KNOB
50	KZ-4000BC-EN-50	TOP COVER
51	KZ-4000BC-EN-51	GASKET
52	KZ-4000BC-EN-52	SCREW M5×20
53-1	KZ-4000BC-EN-53-1	FUEL TANK
53-2	KZ-4000BC-EN-53-2	PIPE RETURN
53-3	KZ-4000BC-EN-53-3	PIPE INTAKE
53-4	KZ-4000BC-EN-53-4	GROMMET
53-5	KZ-4000BC-EN-53-5	CLIP PIPE
53-6	KZ-4000BC-EN-53-6	FILTER
53-7	KZ-4000BC-EN-53-7	TANK CAP
53-8	KZ-4000BC-EN-53-8	COLLAR
54	KZ-4000BC-EN-54	ENGINE STAND
55	KZ-4000BC-EN-55	SPACER
56	KZ-4000BC-EN-56	SCREW M5×25
57	KZ-4000BC-EN-57	SCREW M5×20
58	KZ-4000BC-EN-58	SCREW M5×20

## KASEI-BRUSH CUTTER-KZ-4000BC-PRO-2S TRANSMISSION DIAGRAM & SPARE PART LIST

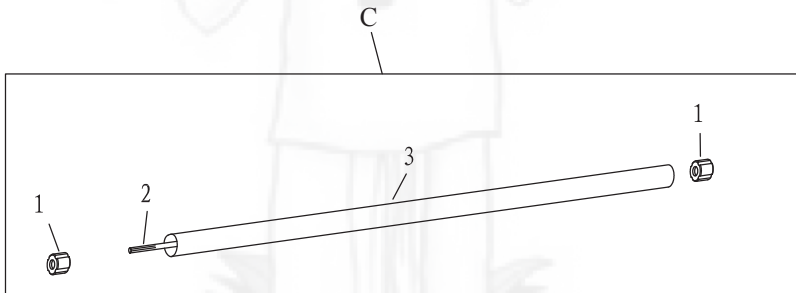


No	PART NO.	PART DESCRIPTION
A	KZ-4000BC-TA	GEAR CASE ASS'Y
1	KZ-4000BC-TA-01	STOP RING 28
2	KZ-4000BC-TA-02	STOP RING 12
3	KZ-4000BC-TA-03	BEARING
4	KZ-4000BC-TA-04	BEARING
5	KZ-4000BC-TA-05	PINION
6	KZ-4000BC-TA-06	SCREWM6×35
7	KZ-4000BC-TA-07	SCREW M5×12
8	KZ-4000BC-TA-08	SCREW M5×8
9	KZ-4000BC-TA-09	SCREW M6×8
10	KZ-4000BC-TA-10	GEAR CASE
11	KZ-4000BC-TA-11	BEARING
12	KZ-4000BC-TA-12	GEAR
13	KZ-4000BC-TA-13	GEAR SHAFT
14	KZ-4000BC-TA-14	BEARING
15	KZ-4000BC-TA-15	STOP RING 35
16	KZ-4000BC-TA-16	OIL SEAL
17	KZ-4000BC-TA-17	HOLDER A
18	KZ-4000BC-TA-18	WASHER
19	KZ-4000BC-TA-19	HOLDER B
20	KZ-4000BC-TA-20	COVER
21	KZ-4000BC-TA-21	NUT

# KASEI-BRUSH CUTTER-KZ-4000BC-PRO-2S TRANSMISSION DIAGRAM & SPARE PART LIST

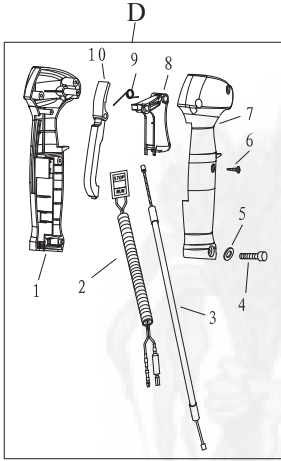


No	PART NO.	PART DESCRIPTION
B		
1	KZ-4000BC-TB-01	RUBBER RINGER
2	KZ-4000BC-TB-02	HANDGRIP
3	KZ-4000BC-TB-03	SCREW M5×25
4	KZ-4000BC-TB-04	CAP,UPPER
5	KZ-4000BC-TB-05	CLAMP RING
6	KZ-4000BC-TB-06	LINKER
7	KZ-4000BC-TB-07	RUBBER
8	KZ-4000BC-TB-08	CAP,LOWER

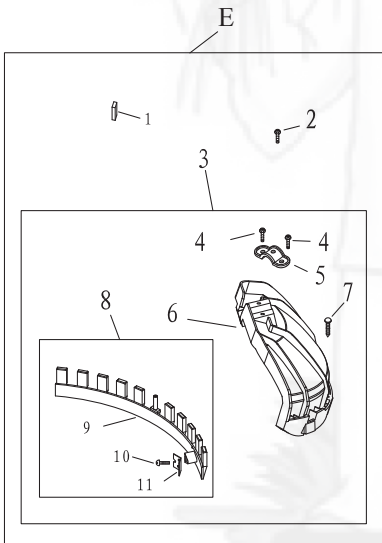


No	PART NO.	PART DESCRIPTION
C	KZ-4000BC-TC	PIPE COMP.
1	KZ-4000BC-TC-01	DRIVE BEARING
2	KZ-4000BC-TC-02	DRIVE SHAFT
3	KZ-4000BC-TC-03	PIPE

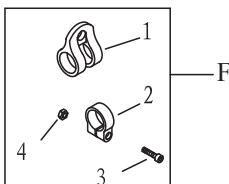
# KASEI-BRUSH CUTTER-KZ-4000BC-PRO-2S TRANSMISSION DIAGRAM & SPARE PART LIST



No	PART NO.	PART DESCRIPTION
D	KZ-4000BC-TD	LEVER ASS'Y
1	KZ-4000BC-TD-01	BOX,LEFT
2	KZ-4000BC-TD-02	STOP BUTTON COMP.
3	KZ-4000BC-TD-03	CABLE COMP.
4	KZ-4000BC-TD-04	BOLT M5×30
5	KZ-4000BC-TD-05	WASHER 5
6	KZ-4000BC-TD-06	BOLT ST3.5×13
7	KZ-4000BC-TD-07	BOX,RIGHT
8	KZ-4000BC-TD-08	HANDGRIP
9	KZ-4000BC-TD-09	SPRING
10	KZ-4000BC-TD-10	HANDGRIP

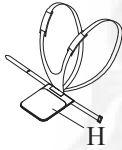


No	PART NO.	PART DESCRIPTION
E		
1	KZ-4000BC-TE-01	BLADE COVER
2	KZ-4000BC-TE-02	BOLT M5×10
3	KZ-4000BC-TE-03	GUARD ASS'Y
4	KZ-4000BC-TE-04	BOLT M5×12
5	KZ-4000BC-TE-05	SAFETY GUARD BRACKET
6	KZ-4000BC-TE-06	SAFETY GUARD
7	KZ-4000BC-TE-07	SCREW ST4.2×16
8	KZ-4000BC-TE-08	GUARD ASS'Y
9	KZ-4000BC-TE-09	GUARD
10	KZ-4000BC-TE-10	SCREW ST4.2×16
11	KZ-4000BC-TE-11	BLADE



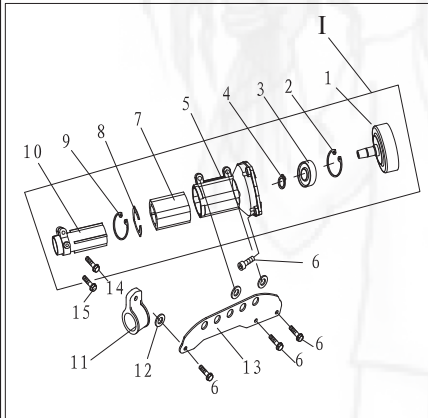
No	PART NO.	PART DESCRIPTION
F	KZ-4000BC-TF	
1	KZ-4000BC-TF-01	HARNESS CLAMP
2	KZ-4000BC-TF-02	CLAMP
3	KZ-4000BC-TF-03	SCREW M5×20
4	KZ-4000BC-TF-04	

# KASEI-BRUSH CUTTER-KZ-4000BC-PRO-2S TRANSMISSION DIAGRAM & SPARE PART LIST

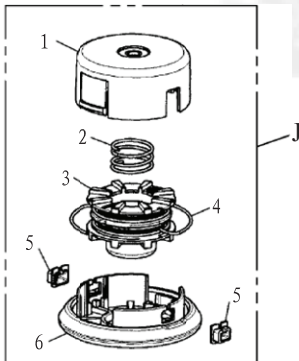


No	PART NO.	PART DESCRIPTION
G	KZ-4000BC-TG-01	BLADE

No	PART NO.	PART DESCRIPTION
H	KZ-4000BC-TH-01	HARNESS ASS'Y



No	PART NO.	PART DESCRIPTION
I	KZ-4000BC-TI	CLUCH COMP.
1	KZ-4000BC-TI-01	CLUCH DRUM COMP.
2	KZ-4000BC-TI-02	STOP RING 35
3	KZ-4000BC-TI-03	BEARING
4	KZ-4000BC-TI-04	STOP RING 15
5	KZ-4000BC-TI-05	CLUCH CASE
6	KZ-4000BC-TI-06	SCREW M6x20
7	KZ-4000BC-TI-07	RUBBER
8	KZ-4000BC-TI-08	WASHER
9	KZ-4000BC-TI-09	STOP RING 48
10	KZ-4000BC-TI-10	LINKER
11	KZ-4000BC-TI-11	HANG RING
12	KZ-4000BC-TI-12	WASHER
13	KZ-4000BC-TI-13	HANG HANDLE
14	KZ-4000BC-TI-14	BOLT M6x30
15	KZ-4000BC-TI-15	BOLT M5x12



No	PART NO.	PART DESCRIPTION
J	KZ-4000BC-TJ	NYLON CUTTER HEAD

## INSPECTION & MAINTENANCE

For safety use, make sure the machine is cleaned every three-months. Before working, make sure to inspect the filter and the nozzle, and ensure there is no impurity. After working, make sure there is no water in the pump and the hose.

If the machine needs to be repaired in the guarantee period, please return the machine to the shop. You need to provide the certificate of purchase in order to repair or get the substitute.

Before Packing, the machine should be cleaned, then use closed packaging, packaging should be firm. Store the machine in dry place.

For transportation safety. The machine should comply with ISTA.



Meaning of crossed - out wheeled dustbin:

Do not dispose of electrical machines as unsorted municipal waste, use separate collection facilities.

If electrical machines are disposed of in landfills or dumps, hazardous substances can leak into the groundwater and get into the food chain, damaging your health and well-being.

When replacing old machines with new ones, the retailer is legally obligated to take back your old machine for disposals at least free of charge.

## Warranty Card

CUSTOMER COPY



Purchaser's Name & Address

\_\_\_\_\_  
\_\_\_\_\_

Date of Delivery

\_\_\_\_\_

Product Name

**KZ-4000BC-PRO-2S - BRUSH CUTTER**

Dealer's Office Seal

\_\_\_\_\_

Product Serial No.

\_\_\_\_\_

Dealer Sign \_\_\_\_\_

Customer Sign. \_\_\_\_\_

Invoice / DN No.

\_\_\_\_\_

I/We accept the terms and conditions of Warranty as in the Warranty Card.

## Warranty Card

DEALER'S COPY



Purchaser's Name & Address

\_\_\_\_\_  
\_\_\_\_\_

Date of Delivery

\_\_\_\_\_

Product Name

**KZ-4000BC-PRO-2S - BRUSH CUTTER**

Dealer's Office Seal

\_\_\_\_\_

Product Serial No.

\_\_\_\_\_

Dealer Sign \_\_\_\_\_

Customer Sign. \_\_\_\_\_

Invoice / DN No.

\_\_\_\_\_

I/We accept the terms and conditions of Warranty as in the Warranty Card.

## Warranty Card

COMPANY COPY



Purchaser's Name & Address

\_\_\_\_\_  
\_\_\_\_\_

Date of Delivery

\_\_\_\_\_

Product Name

**KZ-4000BC-PRO-2S - BRUSH CUTTER**

Dealer's Office Seal

\_\_\_\_\_

Product Serial No.

\_\_\_\_\_

Dealer Sign \_\_\_\_\_

Customer Sign. \_\_\_\_\_

Invoice / DN No.

\_\_\_\_\_

I/We accept the terms and conditions of Warranty as in the Warranty Card.

1. **LIMITED WARRANTY PERIOD** : For a period of six months from the date of Sale / delivery of the product which ever is earlier. 2. **LIMITED WARRANTY OBLIGATION** : Replacement of defective part(s) by authorized dealer are free of charges. If found defective by reasons of defective material / poor workmanship, parts will be replaced and there will be no value re-imbusement. 3. **TERMS & CONDITIONS** : a. Claims under warranty will be accepted on submission of Warranty Card duly filled and stamped by authorized dealer together with the original purchase document. : b. Shipping / transportation / Incidental charges incurred in replacing defective parts under warranty shall be borne by the purchaser.

**WARRANTY null & void if**

- (i) Lack of maintenance, (ii) Incorrect use of the machine or tampering, (iii) Use of non-genuine spare parts, (iv) Usage of acids, solvents, or any flammable materials, (v) Non-usage of filter water / clear water / soft water & using water above 40°C temperature, (vi) While using the pressure washers to draw water which is contaminated with dust & solvents (eg. paint thinners, gasoline, oil, etc.), (vii) Repair done by unauthorized service people, (viii) Those parts subject to wear & tear due to normal operations and plastic parts, rubber items etc, (ix) Loose connections, faulty electrical fixtures & fluctuations in power supply.
4. Should any failure occur during or after the warranty period, customer does not have the right to interrupt payment / price discount.
  5. Incidental or consequential damages like inconvenience commercial loss, loss of tie, mental agony etc.
  6. Loss of any nature due to operation or non-operation is not covered under warranty.
  7. All free service are at Dealer's service point only.
  8. Warranty ceases if service is not done periodically.
  9. The attached card should be completed and returned to Ratnagiri Impex Pvt. Ltd. for registration immediately after sale / delivery.
  10. The warranty is void unless you register the warranty card with Ratnagiri Impex Pvt. Ltd.
  11. The decision of Ratnagiri Impex Pvt. Ltd., in settling the warranty is final in all respects.
  12. All disputes are subject to Bangalore Courts Jurisdiction

1. **LIMITED WARRANTY PERIOD** : For a period of six months from the date of Sale / delivery of the product which ever is earlier. 2. **LIMITED WARRANTY OBLIGATION** : Replacement of defective part(s) by authorized dealer are free of charges. If found defective by reasons of defective material / poor workmanship, parts will be replaced and there will be no value re-imbusement. 3. **TERMS & CONDITIONS** : a. Claims under warranty will be accepted on submission of Warranty Card duly filled and stamped by authorized dealer together with the original purchase document. : b. Shipping / transportation / Incidental charges incurred in replacing defective parts under warranty shall be borne by the purchaser.

**WARRANTY null & void if**

- (i) Lack of maintenance, (ii) Incorrect use of the machine or tampering, (iii) Use of non-genuine spare parts, (iv) Usage of acids, solvents, or any flammable materials, (v) Non-usage of filter water / clear water / soft water & using water above 40°C temperature, (vi) While using the pressure washers to draw water which is contaminated with dust & solvents (eg. paint thinners, gasoline, oil, etc.), (vii) Repair done by unauthorized service people, (viii) Those parts subject to wear & tear due to normal operations and plastic parts, rubber items etc, (ix) Loose connections, faulty electrical fixtures & fluctuations in power supply.
4. Should any failure occur during or after the warranty period, customer does not have the right to interrupt payment / price discount.
  5. Incidental or consequential damages like inconvenience commercial loss, loss of tie, mental agony etc.
  6. Loss of any nature due to operation or non-operation is not covered under warranty.
  7. All free service are at Dealer's service point only.
  8. Warranty ceases if service is not done periodically.
  9. The attached card should be completed and returned to Ratnagiri Impex Pvt. Ltd. for registration immediately after sale / delivery.
  10. The warranty is void unless you register the warranty card with Ratnagiri Impex Pvt. Ltd.
  11. The decision of Ratnagiri Impex Pvt. Ltd., in settling the warranty is final in all respects.
  12. All disputes are subject to Bangalore Courts Jurisdiction

1. **LIMITED WARRANTY PERIOD** : For a period of six months from the date of Sale / delivery of the product which ever is earlier. 2. **LIMITED WARRANTY OBLIGATION** : Replacement of defective part(s) by authorized dealer are free of charges. If found defective by reasons of defective material / poor workmanship, parts will be replaced and there will be no value re-imbusement. 3. **TERMS & CONDITIONS** : a. Claims under warranty will be accepted on submission of Warranty Card duly filled and stamped by authorized dealer together with the original purchase document. : b. Shipping / transportation / Incidental charges incurred in replacing defective parts under warranty shall be borne by the purchaser.

**WARRANTY null & void if**

- (i) Lack of maintenance, (ii) Incorrect use of the machine or tampering, (iii) Use of non-genuine spare parts, (iv) Usage of acids, solvents, or any flammable materials, (v) Non-usage of filter water / clear water / soft water & using water above 40°C temperature, (vi) While using the pressure washers to draw water which is contaminated with dust & solvents (eg. paint thinners, gasoline, oil, etc.), (vii) Repair done by unauthorized service people, (viii) Those parts subject to wear & tear due to normal operations and plastic parts, rubber items etc, (ix) Loose connections, faulty electrical fixtures & fluctuations in power supply.
4. Should any failure occur during or after the warranty period, customer does not have the right to interrupt payment / price discount.
  5. Incidental or consequential damages like inconvenience commercial loss, loss of tie, mental agony etc.
  6. Loss of any nature due to operation or non-operation is not covered under warranty.
  7. All free service are at Dealer's service point only.
  8. Warranty ceases if service is not done periodically.
  9. The attached card should be completed and returned to Ratnagiri Impex Pvt. Ltd. for registration immediately after sale / delivery.
  10. The warranty is void unless you register the warranty card with Ratnagiri Impex Pvt. Ltd.
  11. The decision of Ratnagiri Impex Pvt. Ltd., in settling the warranty is final in all respects.
  12. All disputes are subject to Bangalore Courts Jurisdiction





# 1st Free Service Coupon

ISO 9001-2008  
CERTIFIED COMPANY

## FREE SERVICE COUPON (30 Days / 20 hrs (Which ever is earlier))

Model  
KZ-4000BC-PRO-2S - BRUSH CUTTER

Serial Number

PDI Date

Service No.

Purchase bill no.      Date  
                     

Dealer's Office Seal & Signature

- Operations:
- Check and Test the Fuel Mixture.
  - Check and Clean the Air Filter
  - Check, Clean and Adjust the Spark plug
  - Check and Adjust the Carburetor Tuning
  - Check and Sharpen the cutting Tools
  - Start and Check the Noise, Vibration, Loosen / Fasteners etc.
  - Product familiarization on Usage
  - Routine maintenance and Storage

Customer Signature.....

Conditions: Operations listed have been performed to my entire satisfaction without any labour charges. Only consumables were charged.



agriculture | horticulture | sericulture | plantations | forestry | garden | health care

WARRANTY AND FREE SERVICE COUPON



# 2nd Free Service Coupon

ISO 9001-2008  
CERTIFIED COMPANY

## FREE SERVICE COUPON (30 Days / 20 hrs (Which ever is earlier))

Model  
KZ-4000BC-PRO-2S - BRUSH CUTTER

Serial Number

PDI Date

Service No.

Purchase bill no.      Date  
                     

Dealer's Office Seal & Signature

- Operations:
- Check and Test the Fuel Mixture.
  - Check and Clean the Air Filter
  - Check, Clean and Adjust the Spark plug
  - Check and Adjust the Carburetor Tuning
  - Check and Sharpen the cutting Tools
  - Start and Check the Noise, Vibration, Loosen / Fasteners etc.
  - Product familiarization on Usage
  - Routine maintenance and Storage

Customer Signature.....

Conditions: Operations listed have been performed to my entire satisfaction without any labour charges. Only consumables were charged.



agriculture | horticulture | sericulture | plantations | forestry | garden | health care

WARRANTY AND FREE SERVICE COUPON



# 3rd Free Service Coupon

ISO 9001-2008  
CERTIFIED COMPANY

## FREE SERVICE COUPON (30 Days / 20 hrs (Which ever is earlier))

Model  
KZ-4000BC-PRO-2S - BRUSH CUTTER

Serial Number

PDI Date

Service No.

Purchase bill no.      Date  
                     

Dealer's Office Seal & Signature

- Operations:
- Check and Test the Fuel Mixture.
  - Check and Clean the Air Filter
  - Check, Clean and Adjust the Spark plug
  - Check and Adjust the Carburetor Tuning
  - Check and Sharpen the cutting Tools
  - Start and Check the Noise, Vibration, Loosen / Fasteners etc.
  - Product familiarization on Usage
  - Routine maintenance and Storage

Customer Signature.....

Conditions: Operations listed have been performed to my entire satisfaction without any labour charges. Only consumables were charged.



agriculture | horticulture | sericulture | plantations | forestry | garden | health care

WARRANTY AND FREE SERVICE COUPON



Small Maintenance. Big Savings.



Small Maintenance. Big Savings.



Small Maintenance. Big Savings.





***KASEI***  
Multi-products,  
multi-applications

Imported & Marketed by

**RATNAGIRI IMPEX PVT LTD**

Annapurna House, #1/1G, 7th Cross, New Guddadahalli

Mysore Road, Bangalore-560 026

Customer Care: 1800-425-3036

email: [marketing@ratnagiriimpex.com](mailto:marketing@ratnagiriimpex.com)

[www.ratnagiriimpex.com](http://www.ratnagiriimpex.com)



Marketed by:  
**ratnagiri<sup>®</sup>  
impex**  
BRINGING YOU THE FUTURE... NOW

AN ISO 9001:2008 CERTIFIED COMPANY