

G 48 TK (K600) Lawnmower



Documents

Illustrated parts list

ESSENTIAL complete illustrated parts list (From January 2012)

Cylinder head and valve

Cylinder and crankcase

Crankcase cover

Crankshaft and piston

Starter assy and flywheel

Carburetor

Air filter and muffler

Control lever

Tank

Illustration Illustrated parts list

| Ref.Nu | Qty | Part number | Description | Validity from | Validity till | Notes | Bulletin |
|--------|-----|-------------|-------------------|---------------|---------------|-------|---|
| 1 | 1 | 66060105R | Traction lever | | | | |
| 2 | 2 | 66110281 | Wheel kit | | | | |
| 3 | 1 | 66060058CR | Traction cable | | | | BT5-074-06/14 |
| 3 | 1 | 66070653R | Traction cable | | | | BT5-074-06/14 |
| 4 | 1 | 66110013R | Guard | | | | |
| 5 | 1 | 3914006R | Nut | | | | |
| 6 | 1 | 66070021R | Handle | | | | |
| 7 | 1 | 66030038 | Grommet | | | | |
| 8 | 1 | 66070100 | Traction lever | | | | |
| 9 | 1 | 66070099R | Spring | | | | |
| 10 | 4 | 66030057R | Bearing | | | | |
| 11 | 1 | 66060104AR | Handlebar | | | | |
| 12 | 1 | 66070748 | Axle kit | | | | BT5-050-12/08 |
| 13 | 2 | 4119013AR | Tightening handle | | | | |
| 14 | 1 | 8202126R | Key | | | | |
| 15 | 2 | 66060231 | Band | | | | |
| 16 | 2 | 3910015R | Screw | | | | |
| 17 | 4 | 3933032R | Nut | | | | |
| 18 | 1 | 66070437R | Left sprocket | SN 6275173850 | | | BT5-079-04/15 |
| 19 | 1 | 66110014R | Shutter | | | | |
| 20 | 4 | 3960013R | Screw | | | | |
| 21 | 1 | 66112001R | Complete grassbag | | | | |
| 22 | 2 | 3045033R | Retainer washer | | | | |
| 23 | 1 | 66110610 | Kit spring | | | | |
| 24 | 1 | 66110026R | Deflector axle | | | | |
| 25 | 1 | 66110821 | Deck | | | | |
| 26 | 2 | 3916015R | Washer | | | | |
| 27 | 2 | 66110278R | Wheel cover | | | | |
| 28 | 1 | 66030037R | Belt | | | | |
| 29 | 1 | 66070450R | Pulley | SN 6271101978 | | | BT5-066-06/11 |
| 30 | 1 | 3801010R | Screw | | | | |
| 31 | 1 | 66070035BR | Spring | | | | BT5-074-06/14 |
| 31 | 1 | 66070652R | Spring | | | | BT5-074-06/14 |
| 32 | 2 | 66070435R | Bushing | SN 6275173850 | | | BT5-079-04/15 |
| 33 | 1 | 3024012R | Snap ring | | | | |
| 34 | 7 | 3916008R | Washer | | | | |
| 35 | 1 | 66110012 | Rod | | | | |
| 36 | 1 | 66070436R | Right sprocket | SN 6275173850 | | | BT5-079-04/15 |
| 37 | 1 | 66070013C | Rear axle | | | | |
| 38 | 3 | 3806076R | Screw | | | | |
| 39 | 1 | 66070755A | Transmission | SN 6271101978 | | | BT5-053-06/09, BT5-066-06/11, BT5-074-06/14 |
| 40 | 2 | 011200035R | Screw | | | | |

Illustration Illustrated parts list

| Ref.Nu | Qty | Part number | Description | Validity from | Validity till | Notes | Bulletin |
|--------|-----|-------------|--------------------|---------------|---------------|-------|---------------|
| 41 | 1 | 66070018R | Lever | | | | |
| 42 | 1 | 66070060R | Wheel cover | | | | |
| 43 | 1 | 66030044 | Spacer | | | | |
| 44 | 1 | 66070036R | Spring | | | | |
| 45 | 2 | 66062097 | Wheel kit | | | | |
| 46 | 2 | 8202311R | Ring | | | | |
| 47 | 2 | 66030145R | Wheel cover | | | | |
| 48 | 1 | 66060010R | Roller | | | | |
| 49 | 1 | 66060106R | Brake lever | | | | |
| 50 | 1 | 3906150R | Screw | | | | |
| 51 | 2 | 66060030R | Bushing | | | | |
| 52 | 1 | 66030276R | Engine break cable | | | | |
| 53 | 1 | 66060384R | Washer | | | | |
| 54 | 1 | 66030256R | Hub Ø22,2mm | | | | |
| 55 | 1 | 66110594R | Mulching blade | | | | BT5-061-06/10 |
| 56 | 4 | 66070497R | Bearing | | | | |
| 57 | 2 | 66030039 | Plate | | | | |
| 58 | 4 | 3960031R | Screw | | | | |
| 59 | 6 | 3801022R | Screw | | | | |
| 60 | 2 | 66030049AR | Support | | | | |
| 61 | 2 | 3045035R | Retainer washer | | | | |
| 62 | 2 | 3045034R | Retainer washer | | | | |
| 63 | 1 | 66060164CR | Complete throttle | | | | BT5-054-09/09 |
| 64 | 1 | 3906053 | Screw | | | | BT5-054-09/09 |
| 65 | 3 | 66070228R | Support | | | | |
| 66 | 1 | 66070233A | Guard kit | | | | |
| 67 | 1 | 66070380 | Labels kit | | | | |
| 68 | 1 | 3916006R | Washer | | | | BT5-054-09/09 |
| 69 | 1 | 66110127R | Mulching cap | | | | |

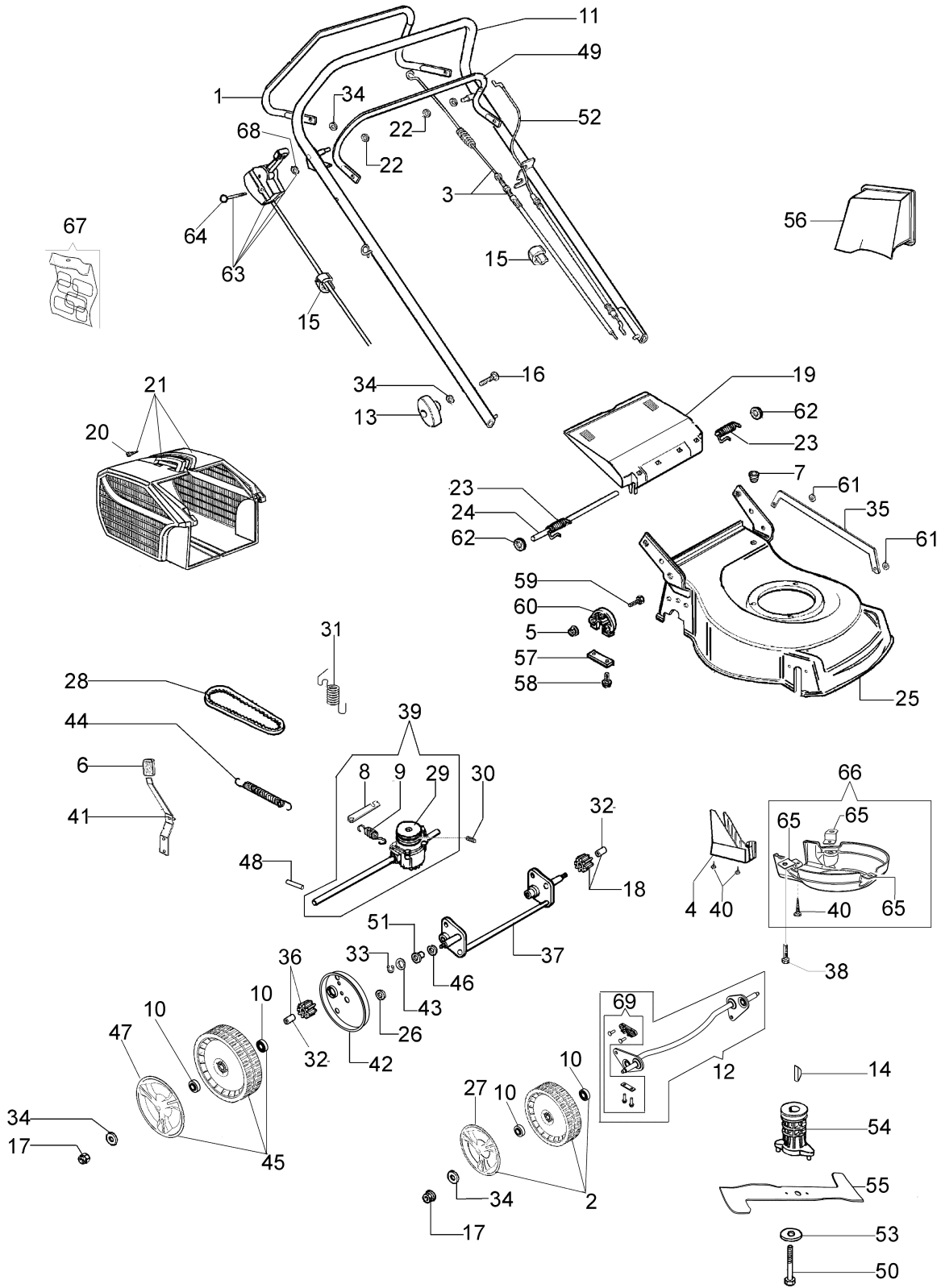


Illustration ESSENTIAL complete illustrated parts list (From January 2012)

| Ref.Nu | Qty | Part number | Description | Validity from | Validity till | Notes | Bulletin |
|--------|-----|-------------|-------------------|---------------|---------------|-------|---------------|
| 1 | 1 | 66060105R | Traction lever | | | | |
| 2 | 2 | 66070362 | Wheel kit | | | | |
| 3 | 1 | 66060058CR | Traction cable | | | | BT5-074-06/14 |
| 3 | 1 | 66070653R | Traction cable | | | | BT5-074-06/14 |
| 4 | 1 | 66110013R | Guard | | | | |
| 5 | 1 | 3914006R | Nut | | | | |
| 6 | 1 | 66070021R | Handle | | | | |
| 7 | 1 | 66030038 | Grommet | | | | |
| 8 | 1 | 66070100 | Traction lever | | | | |
| 9 | 1 | 66070099R | Spring | | | | |
| 10 | 4 | 66070497R | Bearing | | | | |
| 11 | 1 | 66060104AR | Handlebar | | | | |
| 12 | 1 | 66070748 | Axle kit | SN 6275020572 | | | BT5-077-03/15 |
| 13 | 2 | 4119013AR | Tightening handle | | | | |
| 14 | 1 | 8202126R | Key | | | | |
| 15 | 2 | 66060231 | Band | | | | |
| 16 | 2 | 3910015R | Screw | | | | |
| 17 | 4 | 3933032R | Nut | | | | |
| 18 | 1 | 66070437R | Left sprocket | SN 6275173850 | | | BT5-079-04/15 |
| 19 | 1 | 66110014R | Shutter | | | | |
| 20 | 4 | 3960013R | Screw | | | | |
| 21 | 1 | 66112001R | Complete grassbag | | | | |
| 22 | 2 | 3045033R | Retainer washer | | | | |
| 23 | 1 | 66110610 | Kit spring | | | | |
| 24 | 1 | 66110026R | Deflector axle | | | | |
| 25 | 1 | 66110821 | Deck | | | | |
| 26 | 2 | 3916015R | Washer | | | | |
| 27 | 2 | 66070298R | Wheel cover | | | | |
| 28 | 1 | 66030037R | Belt | | | | |
| 29 | 1 | 66070450R | Pulley | | | | |
| 30 | 1 | 3801010R | Screw | | | | |
| 31 | 1 | 66070035BR | Spring | | | | BT5-074-06/14 |
| 31 | 1 | 66070652R | Spring | | | | BT5-074-06/14 |
| 32 | 2 | 66070435R | Bushing | SN 6275173850 | | | BT5-079-04/15 |
| 33 | 1 | 3024012R | Snap ring | | | | |
| 34 | 7 | 3916008R | Washer | | | | |
| 35 | 1 | 66110012 | Rod | | | | |
| 36 | 1 | 66070436R | Right sprocket | SN 6275173850 | | | BT5-079-04/15 |
| 37 | 1 | 66070013C | Rear axle | | | | |
| 38 | 3 | 3806076R | Screw | | | | |
| 39 | 1 | 66070755A | Transmission | | | | BT5-074-06/14 |
| 40 | 2 | 011200035R | Screw | | | | |

Illustration ESSENTIAL complete illustrated parts list (From January 2012)

| Ref.Nu | Qty | Part number | Description | Validity from | Validity till | Notes | Bulletin |
|--------|-----|-------------|--------------------|---------------|---------------|-------|---------------|
| 41 | 1 | 66070018R | Lever | | | | |
| 42 | 1 | 66070060R | Wheel cover | | | | |
| 43 | 1 | 66030044 | Spacer | | | | |
| 44 | 1 | 66070036R | Spring | | | | |
| 45 | 2 | 66070364 | Wheel kit | | | | |
| 46 | 2 | 8202311R | Ring | | | | |
| 47 | 2 | 66070299R | Wheel cover | | | | |
| 48 | 1 | 66060010R | Roller | | | | |
| 49 | 1 | 66060106R | Brake lever | | | | |
| 50 | 1 | 3906150R | Screw | | | | |
| 51 | 2 | 66060030R | Bushing | | | | |
| 52 | 1 | 66030276R | Engine break cable | | | | |
| 53 | 1 | 66060384R | Washer | | | | |
| 54 | 1 | 66030256R | Hub Ø22,2mm | | | | |
| 55 | 1 | 66110594R | Mulching blade | | | | |
| 56 | 1 | 66110127R | Mulching cap | | | | |
| 57 | 2 | 66030039 | Plate | | | | |
| 58 | 4 | 3960031R | Screw | | | | |
| 59 | 6 | 3801022R | Screw | | | | |
| 60 | 2 | 66030049AR | Support | | | | |
| 61 | 2 | 3045035R | Retainer washer | | | | |
| 62 | 2 | 3045034R | Retainer washer | | | | |
| 63 | 1 | 66060164CR | Complete throttle | | | | |
| 64 | 1 | 3906053 | Screw | | | | |
| 65 | 3 | 66070228R | Support | | | | |
| 66 | 1 | 66070233A | Guard kit | | | | |
| 67 | 1 | 66070380 | Labels kit | | | | |
| 68 | 1 | 3916006R | Washer | | | | |
| 69 | 1 | 66070744 | Support set | SN 6275020572 | | | BT5-077-03/15 |

Illustration Cylinder head and valve

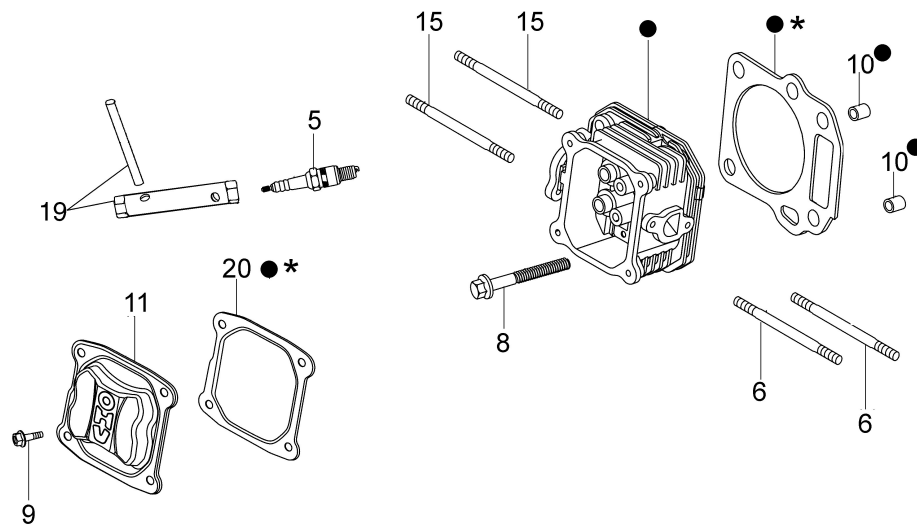
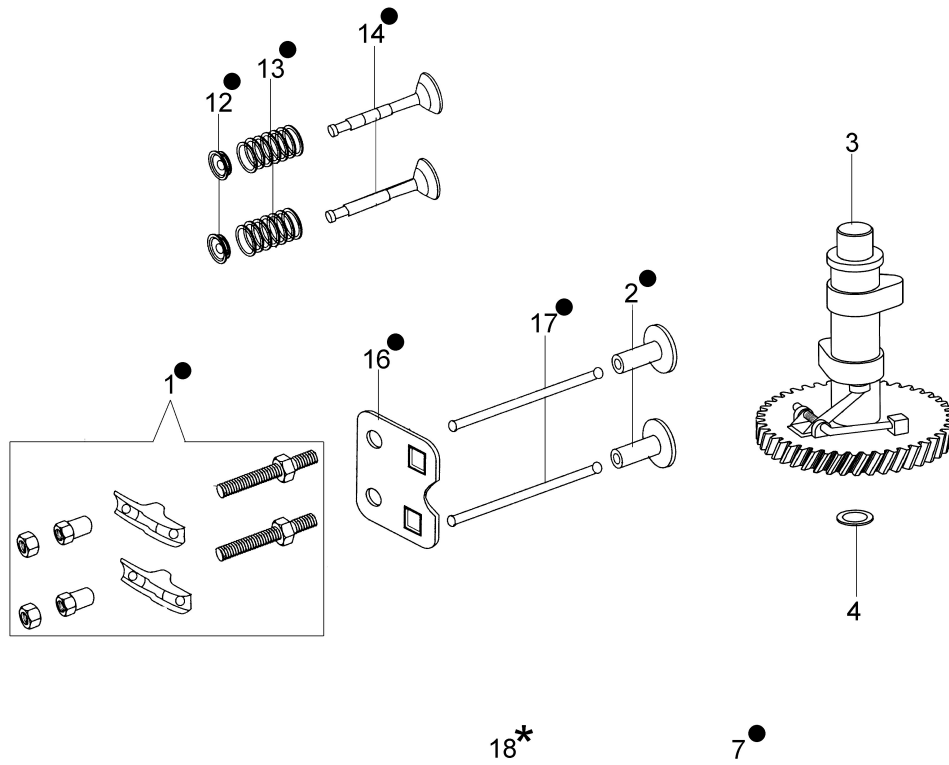


Illustration Cylinder head and valve

| Ref.Nu | Qty | Part number | Description | Validity from | Validity till | Notes | Bulletin |
|--------|-----|-------------|---------------------------|---------------|---------------|-------|----------|
| 1 | 2 | L66150368 | Compensator | | | | |
| 2 | 2 | L66150403 | Slide | | | | |
| 3 | 1 | L66150404 | Camshaft assy | | | | |
| 4 | 1 | L66150399 | Washer | | | | |
| 5 | 1 | 3055123 | Spark plug | | | | |
| 6 | 2 | L66150396 | Stud | | 10/2013 | | |
| 6 | 2 | L66150709 | Stud | 11/2013 | | | |
| 7 | 1 | L66150215 | Head comp.cylinder | | | | |
| 8 | 4 | L66150005 | Screw | | | | |
| 9 | 4 | L66150393 | Screw | | | | |
| 10 | 2 | L66150350 | Plug | | | | |
| 11 | 1 | L66150394 | Cover | | | | |
| 12 | 2 | L66150398 | Spring holder | | | | |
| 13 | 2 | L66150366 | Valves spring | | | | |
| 14 | 1 | L66150400 | Suction/exhaust valve kit | | | | |
| 15 | 2 | L66150396 | Stud | | 10/2013 | | |
| 15 | 2 | L66150708 | Stud | 11/2013 | | | |
| 16 | 1 | L66150401 | Plate | | | | |
| 17 | 2 | L66150402 | Equalizer rod | | | | |
| 18 | 1 | L66150227 | Gasket set | 10/2013 | | | |
| 18 | 1 | L66150723 | Gasket set | | 11/2013 | | |
| 19 | 1 | 66060414 | 19 x 21 mm wrench | | | | |
| 20 | 1 | L66150471 | Gasket | | | | |

Illustration Cylinder and crankcase

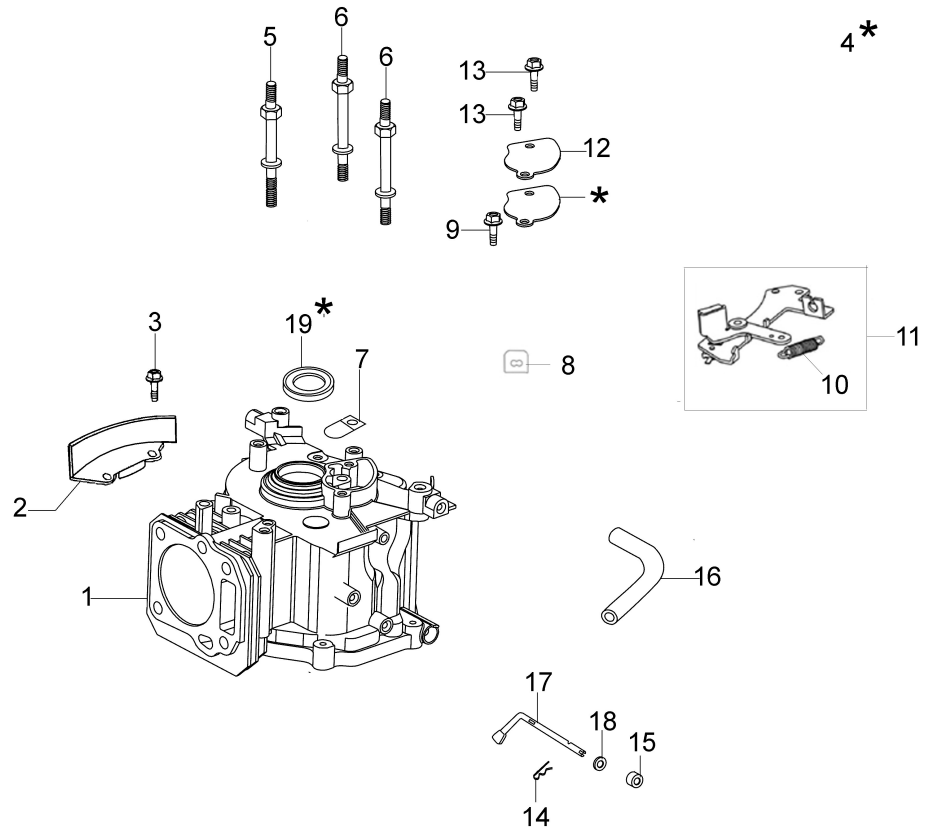


Illustration Cylinder and crankcase

| Ref.Nu | Qty | Part number | Description | Validity from | Validity till | Notes | Bulletin |
|--------|-----|-------------|--------------------|---------------|---------------|-------|----------|
| 1 | 1 | L66150224 | Crankcase assy | | | | |
| 2 | 1 | L66150406 | Tank shield | | | | |
| 3 | 2 | L66150251 | Screw | | | | |
| 4 | 1 | L66150227 | Gasket set | | 10/2013 | | |
| 4 | 1 | L66150723 | Gasket set | 11/2013 | | | |
| 5 | 1 | L66150407 | Stud | | | | |
| 6 | 2 | L66150408 | Stud | | | | |
| 7 | 1 | L66150410 | Reed valve | | | | |
| 8 | 1 | L66150420 | Spring | | | | |
| 9 | 1 | L66150411 | Screw | | | | |
| 10 | 1 | L66150257 | Spring | | | | |
| 11 | 1 | L66150415 | Flyweheel brake | | | | |
| 12 | 1 | L66150413 | Cap | | | | |
| 13 | 2 | L66150414 | Screw | | | | |
| 14 | 1 | L66150353 | Plug | | | | |
| 15 | 1 | L66150419 | Gasket | | | | |
| 16 | 1 | L66150710 | Tube | 11/2013 | | | |
| 16 | 1 | L66150229 | Tube | | 10/2013 | | |
| 17 | 1 | L66150417 | Governor arm shaft | | | | |
| 18 | 1 | L66150035 | Washer | | | | |
| 19 | 1 | L66150409 | Seal ring | | | | |

Illustration Crankcase cover

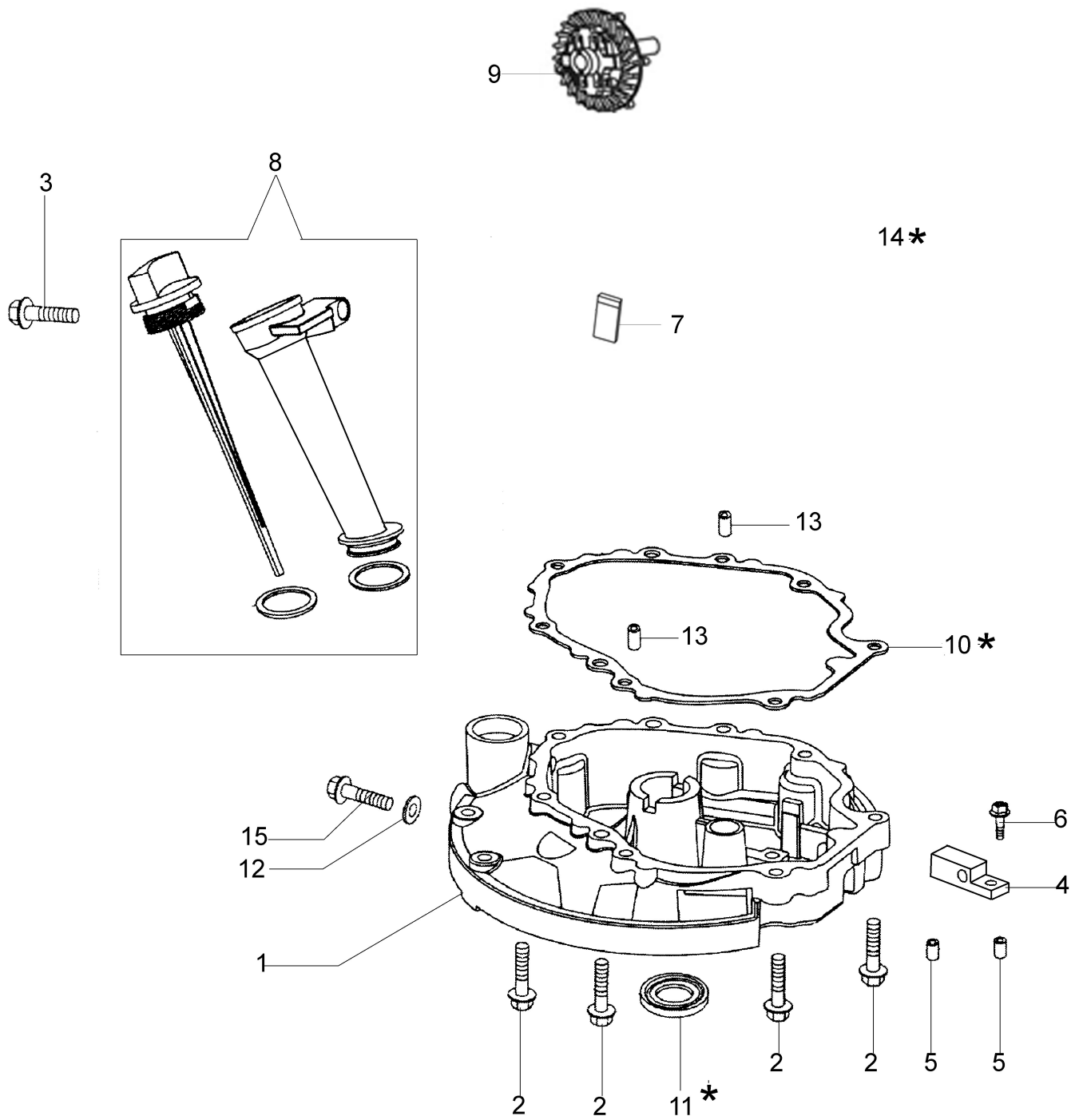


Illustration Crankcase cover

| Ref.Nu | Qty | Part number | Description | Validity from | Validity till | Notes | Bulletin |
|--------|-----|-------------|---------------------------|---------------|---------------|-------|----------|
| 1 | 1 | L66150230 | Cover | | | | |
| 2 | 7 | L66150452 | Screw | | | | |
| 3 | 3 | L66150453 | Screw | | | | |
| 4 | 1 | L66150454 | Plate | | | | |
| 5 | 2 | L66150455 | Bushing | | | | |
| 6 | 1 | L66150456 | Screw | | | | |
| 7 | 1 | L66150232 | Packing, breather chamber | | | | |
| 8 | 1 | L66150458 | Oil cap assy | | | | |
| 9 | 1 | L66150457 | Governor | | | | |
| 10 | 1 | L66150463 | Gasket | | | | |
| 11 | 1 | L66150462 | Oil seal | | | | |
| 12 | 1 | L66150354 | Washer | | | | |
| 13 | 2 | L66150357 | Plug | | | | |
| 14 | 1 | L66150723 | Gasket set | 11/2013 | | | |
| 14 | 1 | L66150227 | Gasket set | | 10/2013 | | |
| 15 | 1 | L66150352 | Screw | | | | |

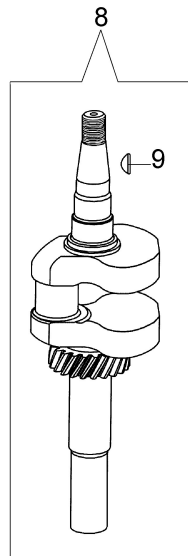
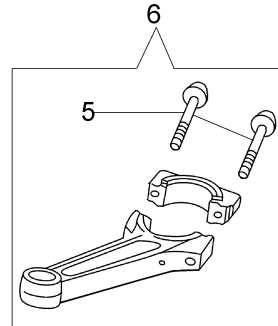
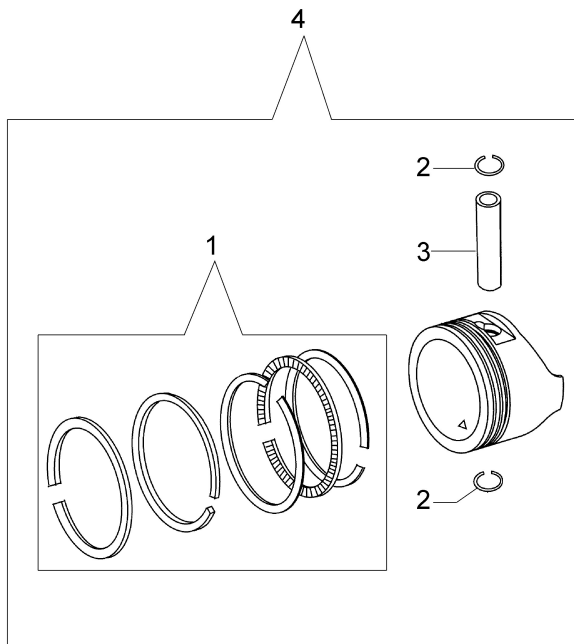


Illustration Crankshaft and piston

| Ref.Nu | Qty | Part number | Description | Validity from | Validity till | Notes | Bulletin |
|--------|-----|-------------|---------------------|---------------|---------------|-------|----------|
| 1 | 1 | L66150070 | Piston ring set | | | | |
| 2 | 2 | L66150372 | Retainer washer | | | | |
| 3 | 1 | L66150342 | Piston pin | | | | |
| 4 | 1 | L66150217A | Piston assy | | | | |
| 5 | 2 | L66150078 | Connecting rod bolt | | | | |
| 6 | 1 | L66150421 | Connecting rod cpl. | | | | |
| 7 | 1 | L66150355 | Bearing | | | | |
| 8 | 1 | L66150423 | Crankshaft | | | | |
| 9 | 1 | L66150081 | Key | | | | |
| 10 | 1 | L66150424 | Washer | | | | |

Illustration Starter Assy and flywheel

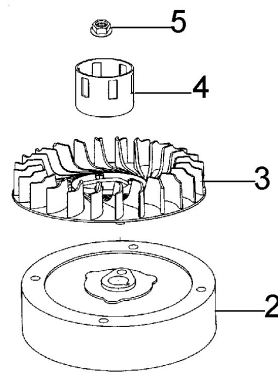
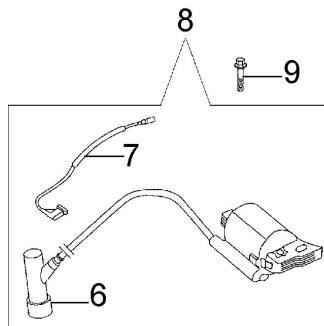
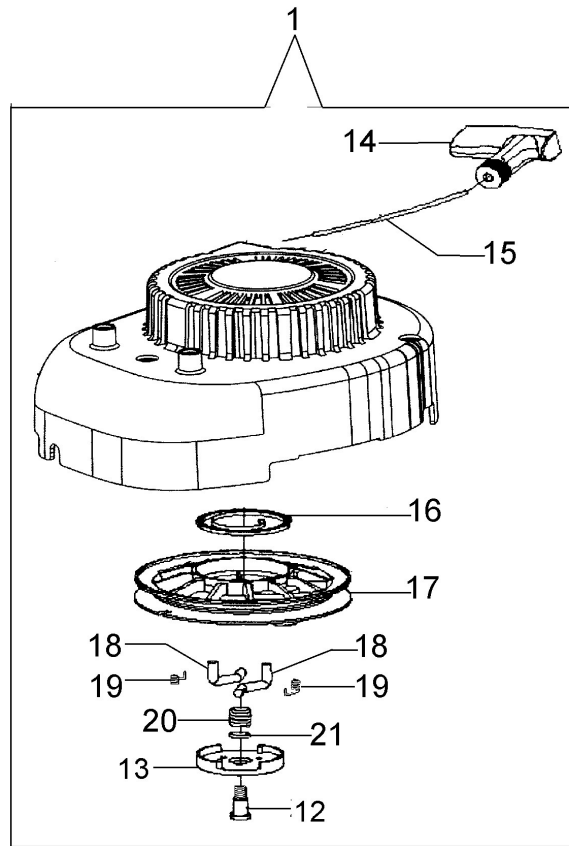
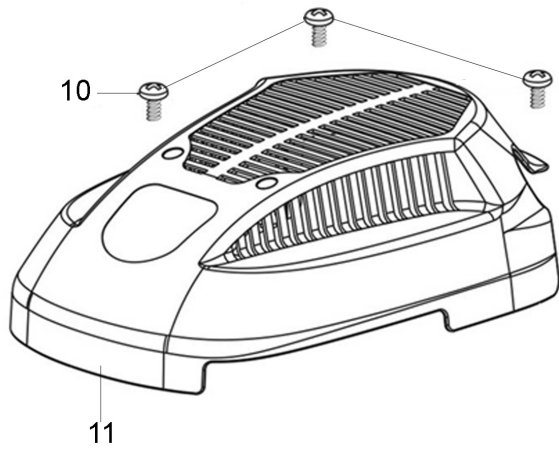


Illustration Starter assy and flywheel

| Ref.Nu | Qty | Part number | Description | Validity from | Validity till | Notes | Bulletin |
|--------|-----|-------------|------------------|---------------|---------------|-------|----------|
| 1 | 1 | L66150233 | Starter assy | | | | |
| 2 | 1 | L66150425 | Flywheel | | | | |
| 3 | 1 | L66150426 | Fan | | | | |
| 4 | 1 | L66150147 | Pulley | | | | |
| 5 | 1 | L66150376 | Nut | | | | |
| 6 | 1 | L66150427 | Spark plug cap | | | | |
| 7 | 1 | L66150428 | Engine stop wire | | | | |
| 8 | 1 | L66150429 | Ignition coil | | | | |
| 9 | 1 | L66150416 | Screw | | | | |
| 10 | 3 | L66150240 | Screw | | | | |
| 11 | 1 | L66150713 | Cover | 11/2013 | | | |
| 11 | 1 | L66150234 | Cover | | 10/2013 | | |
| 12 | 1 | L66150259 | Screw | | | | |
| 13 | 1 | L66150260 | Slide | | | | |
| 14 | 1 | L66150270 | Starter handle | | | | |
| 15 | 1 | L66150269 | Starter rope | | | | |
| 16 | 1 | L66150266 | Starter spring | | | | |
| 17 | 1 | L66150265 | Pulley | | | | |
| 18 | 2 | L66150263 | Pawl | | | | |
| 19 | 2 | L66150264 | Spring | | | | |
| 20 | 1 | L66150262 | Spring | | | | |
| 21 | 1 | L66150261 | Washer | | | | |

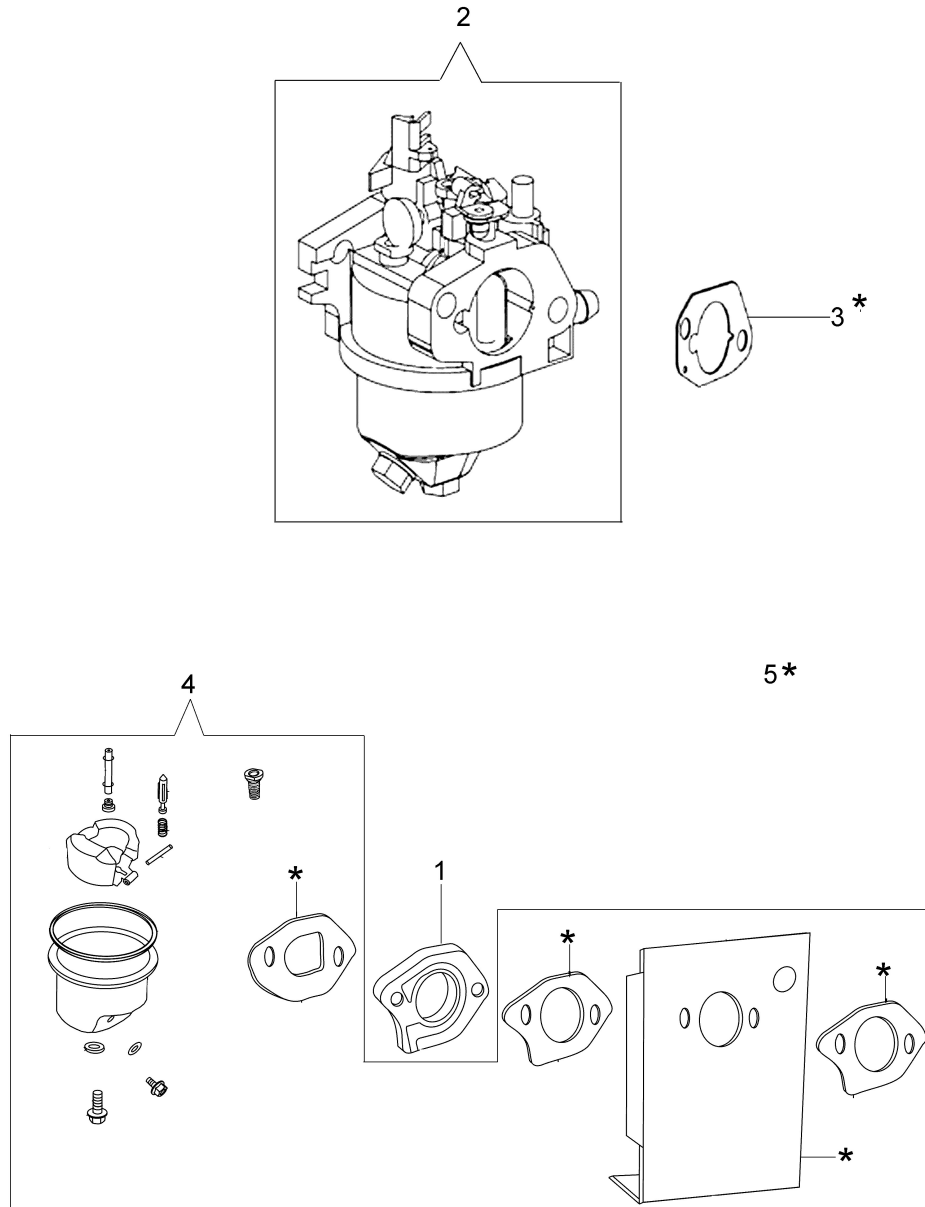
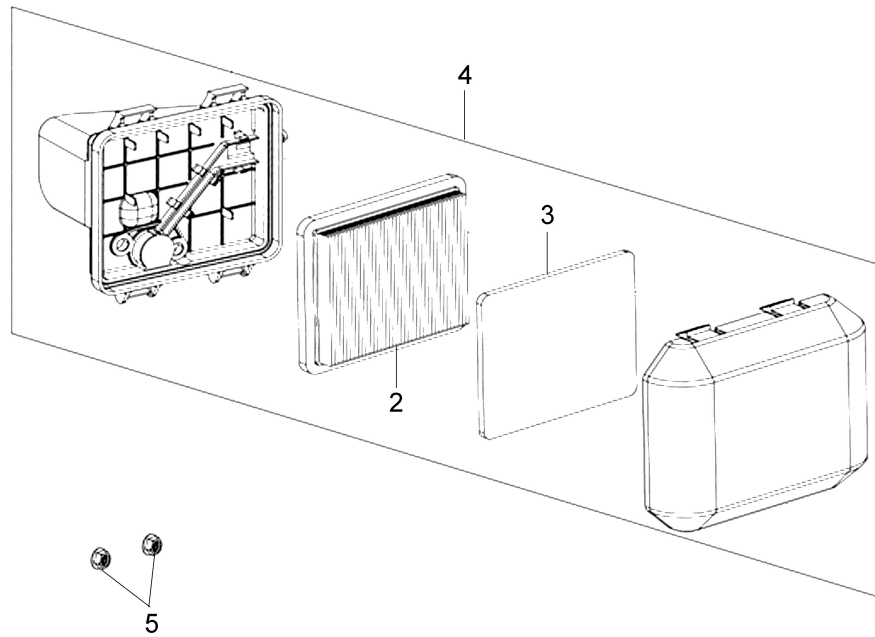


Illustration Carburetor

| Ref.Nu | Qty | Part number | Description | Validity from | Validity till | Notes | Bulletin |
|--------|-----|-------------|-------------|---------------|---------------|-------|----------|
| 1 | 1 | L66150433 | Insulator | | | | |
| 2 | 1 | L66150142A | Carburetor | | | | |
| 3 | 1 | L66150714 | Gasket | | | | |
| 4 | 1 | L66150211 | Repair kit | | | | |
| 5 | 1 | L66150723 | Gasket set | 11/2013 | | | |
| 5 | 1 | L66150227 | Gasket set | | 10/2013 | | |

Illustration Air filter and muffler



6*

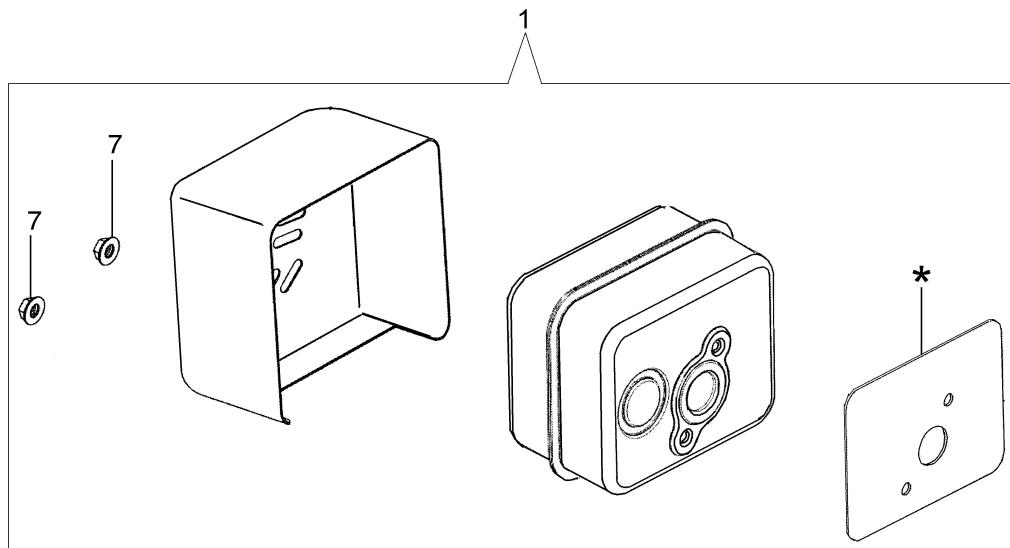


Illustration Air filter and muffler

| Ref.Nu | Qty | Part number | Description | Validity from | Validity till | Notes | Bulletin |
|--------|-----|-------------|----------------|---------------|---------------|-------|----------|
| 1 | 1 | L66150443 | Muffler assy | | 10/2013 | | |
| 1 | 1 | L66150719 | Muffler assy | 11/2013 | | | |
| 2 | 1 | L66150445 | Air filter | | 10/2013 | | |
| 2 | 1 | L66150715 | Air filter | 11/2013 | | | |
| 3 | 1 | L66150255 | Sponge | | 10/2013 | | |
| 3 | 1 | L66150716 | Sponge | 11/2013 | | | |
| 4 | 1 | L66150717 | Air filter kit | 11/2013 | | | |
| 4 | 1 | L66150250 | Air filter kit | | 10/2013 | | |
| 5 | 2 | 004400959R | Nut | | | | |
| 6 | 1 | L66150227 | Gasket set | | 10/2013 | | |
| 6 | 1 | L66150723 | Gasket set | 11/2013 | | | |
| 7 | 1 | L66150185 | Nut | | | | |

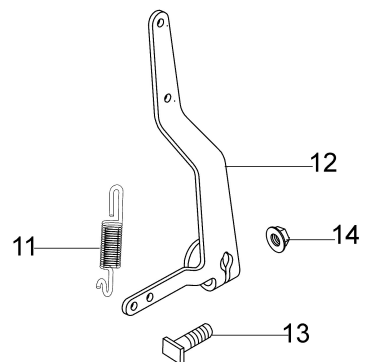
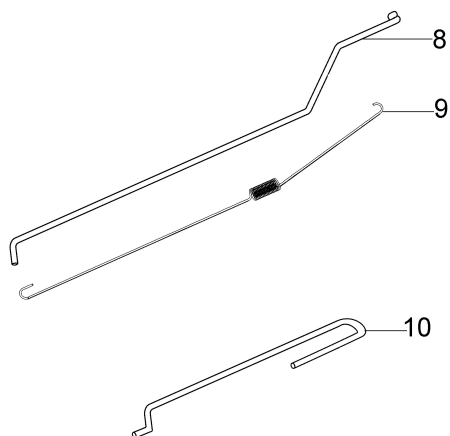
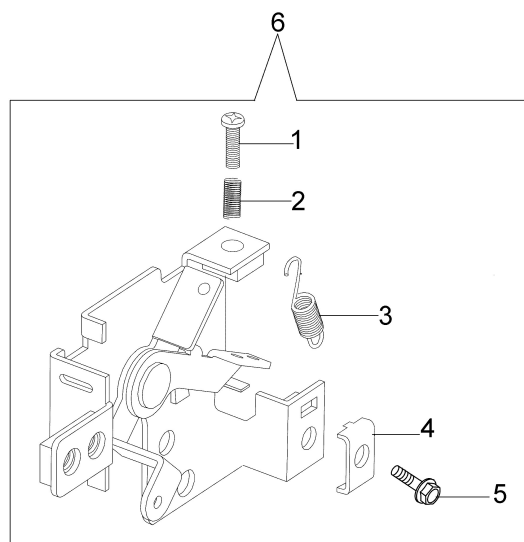


Illustration Control lever

| Ref.Nu | Qty | Part number | Description | Validity from | Validity till | Notes | Bulletin |
|--------|-----|-------------|----------------|---------------|---------------|-------|----------|
| 1 | 1 | L66150168 | Adjust. screw | | | | |
| 2 | 1 | L66150169 | Spring | | | | |
| 3 | 1 | L66150170 | Spring | | | | |
| 4 | 1 | L66150468 | Plate | | | | |
| 5 | 1 | L66150172 | Screw | | | | |
| 6 | 1 | L66150470 | Complete lever | | | | |
| 7 | 2 | L66150464 | Screw | | | | |
| 8 | 1 | L66150236 | Rod | | | | |
| 9 | 1 | L66150237 | Spring | | | | |
| 10 | 1 | L66150461 | Throttle rod | | | | |
| 11 | 1 | L66150448 | Spring | | | | |
| 12 | 1 | L66150447 | Control lever | | | | |
| 13 | 1 | L66150382 | Screw | | | | |
| 14 | 1 | L66150185 | Nut | | | | |

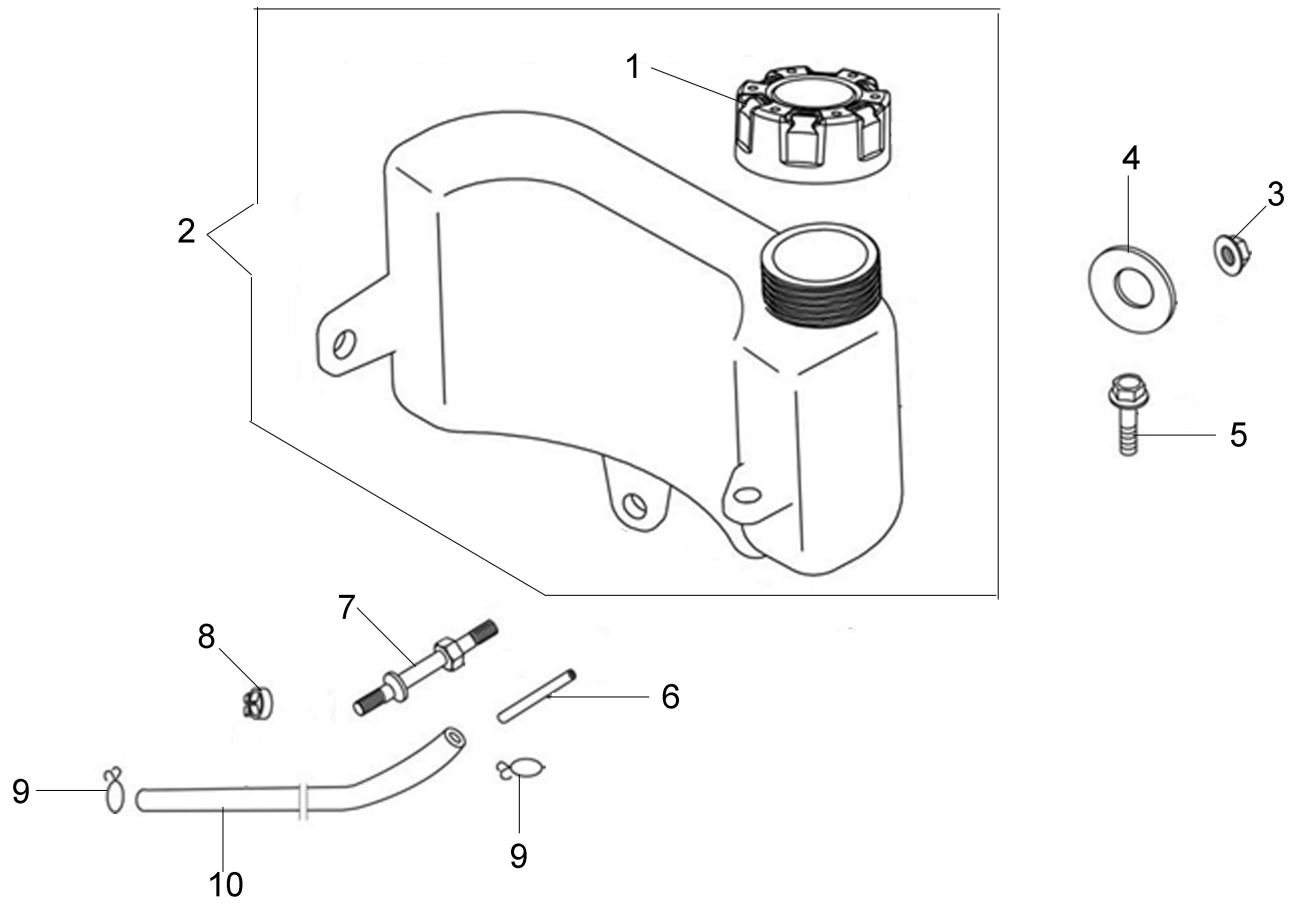


Illustration Tank

| Ref.Nu | Qty | Part number | Description | Validity from | Validity till | Notes | Bulletin |
|--------|-----|-------------|---------------|---------------|---------------|-------|----------|
| 1 | 1 | L66150437 | Cap | | | | |
| 2 | 1 | L66150436 | Complete tank | | | | |
| 3 | 1 | L66150185 | Nut | | | | |
| 4 | 1 | L66150438 | Washer | | | | |
| 5 | 1 | L66150251 | Screw | | | | |
| 6 | 1 | L66150439 | Filter | | | | |
| 7 | 1 | L66150239 | Stud | | | | |
| 8 | 1 | L66150440 | Clip | | | | |
| 9 | 2 | L66150435 | Clip | | | | |
| 10 | 1 | L66150432 | Tube | | | | |